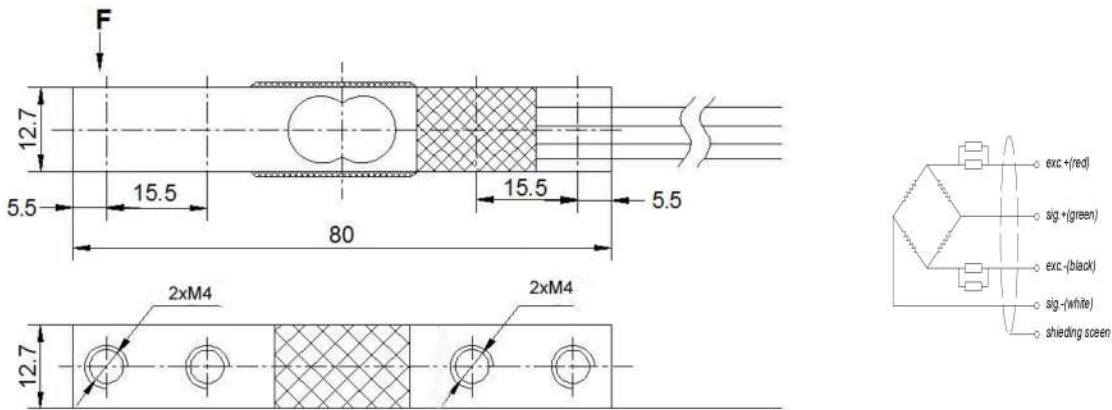




Features:

- ◆ Capacity : 3-200kg
- ◆ Material: aluminum-alloy or alloy steel
- ◆ Type: Parallel beam type
- ◆ Defend grade: IP65
- ◆ Application : Palm scale, kitchen scale, electronic balance, fishing scale, electronic platform scale and other electronic weighing devices.

Electrical connection and Dimensions:(dimension unit: mm)



Specifications:

capacity	kg	3,5,10,20,25,30,50(aluminum); 80,100,120,200(alloy steel)
safe overload	%FS	120
ultimate overload	%FS	150
rated output	mV/V	1.0 ± 0.15
excitation voltage	Vdc	5 - 10
combined error	%FS	± 0.05
zero unbalance	%FS	± 0.1
non-linearity	%FS	± 0.05
hysteresis	%FS	± 0.05
repeatability	%FS	± 0.03
creep	%FS/3min	± 0.05
input resistance	Ω	1000 ± 15
output resistance	Ω	1000 ± 10
insulation resistance	M Ω	≥ 2000
operating temperature range	°C	-10 - +55
compensated temperature range	°C	-10 - +40
temperature coefficient of SPAN	%FS/10°C	± 0.05
temperature coefficient of ZERO	%FS/10°C	± 0.05
Electrical connection	cable	4 color wire (standard)or 4 shielded PVC cable, Ø0.8 × 220 mm

※Ordering code: model-capacity- rated output-accuracy-defend grade- the length of cable