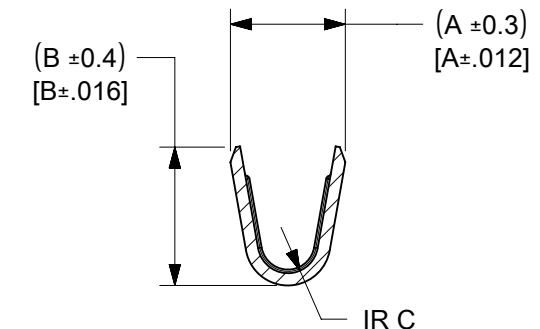
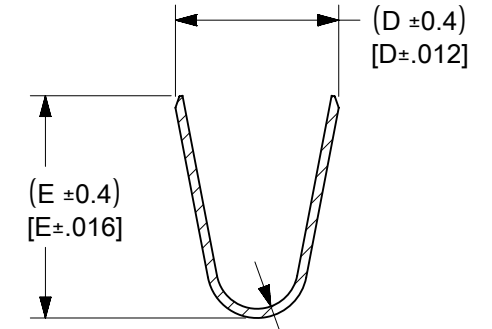
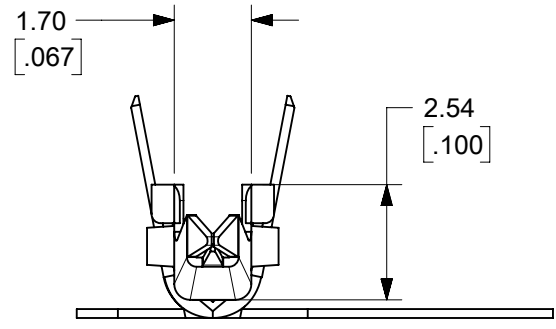


- NOTES:
1. MATERIAL: SEE CHART
 2. FINISH: SEE CHART
 3. PRODUCT SPECIFICATION: PS-5556-001, PS-5556-002, PS-5556-003
 4. PACKAGING SPECIFICATION: PK-5558-001 FOR CHAIN
PK-5556-003 FOR LOOSE
 5. MATES WITH TERMINAL: 5556 SERIES.
 6. APPLICABLE HOUSING: 5559, 30068, 42475 SERIES.
 7. THE NUMBER OF SERRATIONS TO BE ONE FOR WIRE RANGE #22-28.
 8. WHEN TERMINALS ARE INSTALLED IN THE HOUSING THE WIRES ARE TO BE DRESSED IN SUCH A MANNER TO ALLOW THE TERMINALS TO FLOAT FREELY IN THE POCKET.
 9. THIS TERMINAL IS DESIGNED FOR SINGLE WIRE CRIMPING.
 10. PART CONFORMS TO CLASS "B" REQUIREMENTS OF COSMATIC SPECIFICATION PS-45499-002.
 11. TEXT ON PART IS FOR REFERENCE ONLY. TEXT AND TEXT LOCATION MAY VARY DEPENDING ON PART NUMBER AND/OR TOOL.



SECTION G-G



SECTION H-H

FUNCTIONAL SYMBOLS												THIS DRAWING CONTAINS INFORMATION THAT IS PROPRIETARY TO MOLEX ELECTRONIC TECHNOLOGIES, LLC AND SHOULD NOT BE USED WITHOUT WRITTEN PERMISSION											
DIMENSION UNITS				SCALE				CURRENT REV DESC:															
mm/inch				NTS				EC NO: 660823															
GENERAL TOLERANCES (UNLESS SPECIFIED)								DRWN: VIJAYS4 2021/04/06															
4 PLACES		±		MM		INCH		CHK'D: YXZHENG 2021/04/14		APPR: YXZHENG 2021/04/14		PRODUCT CUSTOMER DRAWING											
3 PLACES		±		±		0.01		INITIAL REVISION:		1991/03/12		DOCUMENT NUMBER											
2 PLACES		±		±		0.25		DRWN: H.HIRAMOTO		2010/04/09		SD-5558XXXX											
1 PLACE		±		±		0.25		APPR: FSMITH				DOC TYPE DOC PART REVISION											
0 PLACES		±		±				ANGULAR TOL ± 3.0°				PSD 001 L2											
DRAFT WHERE APPLICABLE MUST REMAIN WITHIN DIMENSIONS				THIRD ANGLE PROJECTION				DRAWING				SERIES											
								B-SIZE				5558											
								MATERIAL NUMBER				CUSTOMER											
								SEE SHEET 2				GENERAL MARKET											
												SHEET NUMBER											
												1 OF 2											