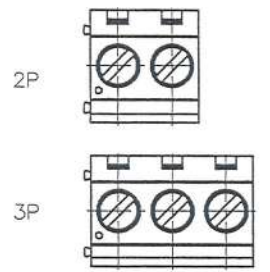
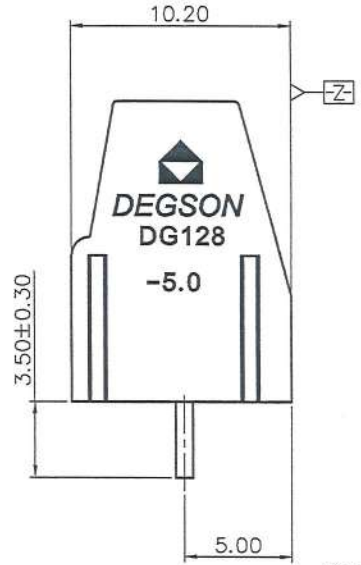
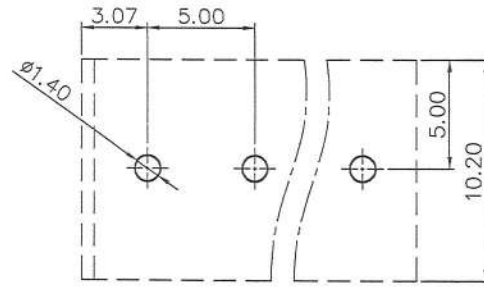
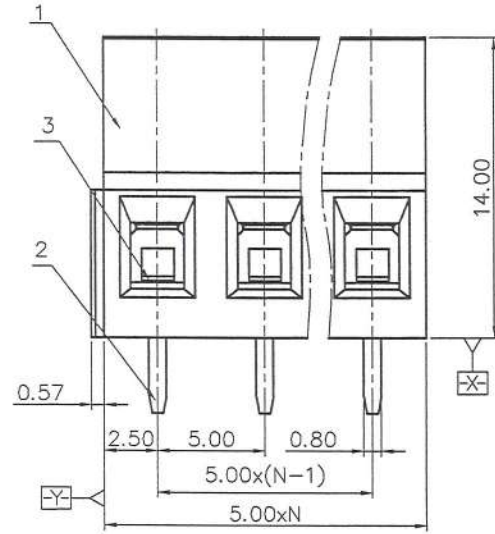
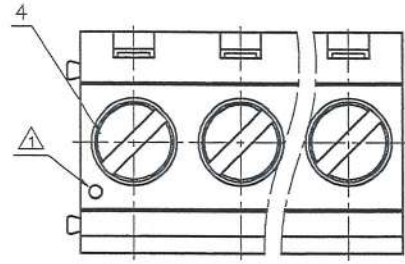
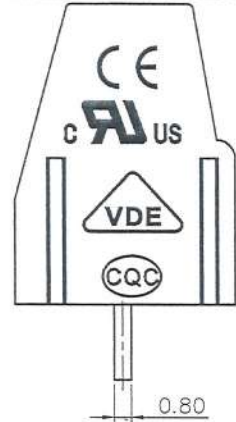


REVISION RECORD				
REV	ECN	DESCRIPTION	DRFT	DATE
△	18-0222	Add a pit on the housing	CSL	2018.07.04



Other poles splicing by 02P or 03P

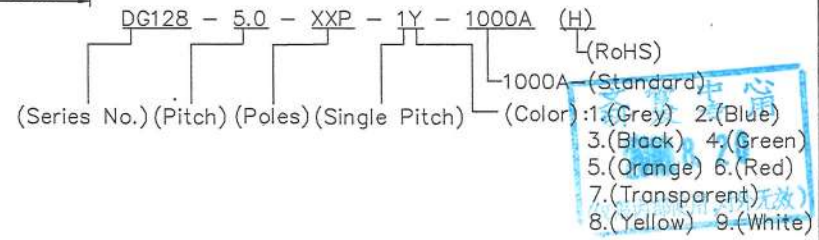


- NOTES1:
- UL Standard
- 1.Rated voltage/current : 300V / 20A
  - 2.Torque value : M3 , 4.43Lb.in
  - 3.Wire range : 30~12AWG
- IEC Standard
- 1.Rated voltage/current : 250V /18A
  - 2.Torque value : M3 , 0.5N·m
  - 3.Wire range : 1.0~2.5mm<sup>2</sup>

- NOTES2:
- 1.Dimension shall be interpreted per ASME Y14.5-2009
  - 2.Pitch : 5.00mm, Poles : N=02~24P
  - 3.Stripping length : 6~7mm
  - 4.Withstanding voltage : AC2000V/1Min
  - 5.Operating temperature: -40°C~+105°C
  - 6.Undimensioned tolerances:

Pitch range in mm		Nominal dimension range in mm					0.1/10
To	Over	To	Over	To	Over		
6	10	30	60	100	150	±2'	
6	10	30	60	100	150		
±0.15±0.20±0.30		±0.30±0.50±0.70		±1.00±1.30			

7.RoHS Compliance



ITEM	NAME OF PART	MATERIAL	NOTES
4	Screw	Steel	M3/Zn plated
3	Cage	Copper alloy	M3/Ni plated

PART NO.: /		宁波高松电子有限公司	
APPD: <i>Arum 2018.7.11</i>		NINGBO DEGSON ELECTRICAL CO., LTD	
CHKD: /		NAME: DG128-5.0-XXP-1Y-1000A(H)	
DRFT: LHM 2018.01.10		TITLE: CUSTOMER DRAWING	REV: T1
THIRD ANGLE PROJECTION		DRAWING NO.: DG128-5.0-C87	SHEET: 1/1
		MM (INCH)	DO NOT SCALE DRAWING
		SCALE: 1:1	