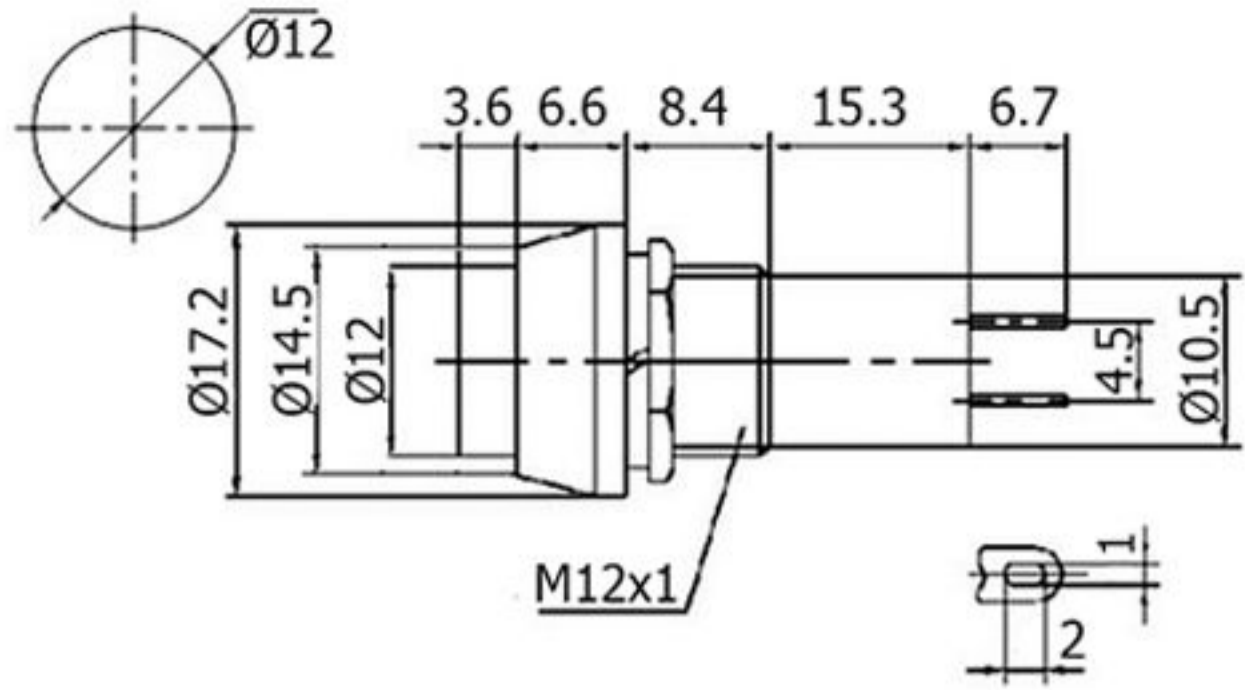


PBS-11xR



PBS-11R	2 stable positions ON-OFF; Red; Round 3A 125VAC - 1A 250VAC
PBS-11BR	momentary (open type) OFF-(ON); Red; Round 3A 125VAC - 1A 250VAC
PBS-11CR	momentary (close type) ON-(OFF); Red; Round 3A 125VAC - 1A 250VAC

Contact resistance	20 mOhm max.
Insulation resistance	500VDC 100 M-Ohm min.
Dielectric strength	1000VAC 1 min.
Operating temperature	-25 to +85 deg C
Electrical life	50,000 cycles

Push-button color	
Red	R
White	W
Green	G
Black	B
Orange	O
Yellow	Y
Blue	BL

Circuitry trait

A	ON-OFF	Push on/Push off	With lock
B	(ON)-OFF	Push on	Momentary (open type)
C	ON-(OFF)	Push off	Momentary (close type)
()	Momentary		