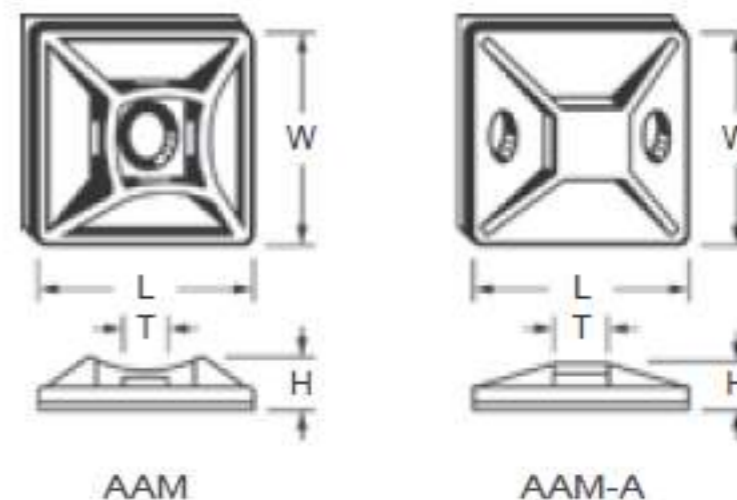




- Material : Nylon PA 66 (UL 94V-2) with both sides self-adhesive tapes attached.
- Colors : Natural & Black.
- Fast and easy to use. Just peel backing paper off and apply to any clean, dry, smooth, grease free surface.
- This mount is designed to secure small diameter wire bundles in locations with limited space.
- Available in 4-way insertion feature.
- The screw holes provide for where additional support is required.



Cat. No.		L X W	H	T	Screw Hole
Natural	Black	mm	mm	mm	mm
AAM - 13	AAM - 13 - B	13 X 13	6.7	3.8	4.3
AAM - 20	AAM - 20 - B	20 X 20	7.2	3.8	4.4
AAM - 28	AAM - 28 - B	28 X 28	7.3	5.4	5.8
AAM - 38	AAM - 38 - B	38 X 38	8.3	8.5	5.3
AAM - 20A	AAM - 20A - B	20 X 20	5.4	4.5	3.3
AAM - 28A	AAM - 28A - B	28 X 28	6.3	6	4.7