

BFAT-D

The BFAT is a blade fuse that has spread extensively in non-automotive applications



General Specification

| | |
|-----------------------------|---------------|
| Rated Voltage | DC32V |
| Breaking Capacity | 1000A |
| Recommended Operating Temp. | -40°C~120°C*2 |
| Standard | ISO8820-3 |
| Country of Origin | — |
| Plating | Sn Plating |
| Standard Packaging | 12,000 |
| Insertion Force | — |
| Pull-out Load | — |
| Recommended Torque | — |

*2 Please contact us for the details of operating temperature.

Product Lineup

| Ampere Rating(A) | Housing Colors | Resistance Value | Voltage Drop*1 |
|------------------|----------------|------------------|----------------|
| 1 | Black | 156 mΩ | 225 mV |
| 2 | Gray | 55.6 mΩ | 175 mV |
| 3 | Violet | 31.7 mΩ | 133 mV |
| 4 | Pink | 22.7 mΩ | 128 mV |
| 5 | Tan | 17.5 mΩ | 121 mV |
| 7.5 | Brown | 11.0 mΩ | 112 mV |
| 10 | Red | 8.12 mΩ | 116 mV |
| 15 | Blue | 5.08 mΩ | 105 mV |
| 20 | Yellow | 3.58 mΩ | 99 mV |
| 25 | Natural | 2.76 mΩ | 96 mV |
| 30 | Green | 2.20 mΩ | 92 mV |
| 35 | Dark Green | 1.76 mΩ | 91 mV |
| 40 | Orange | 1.48 mΩ | 95 mV |

*1 Voltage drop: apply 100% of the rated current.

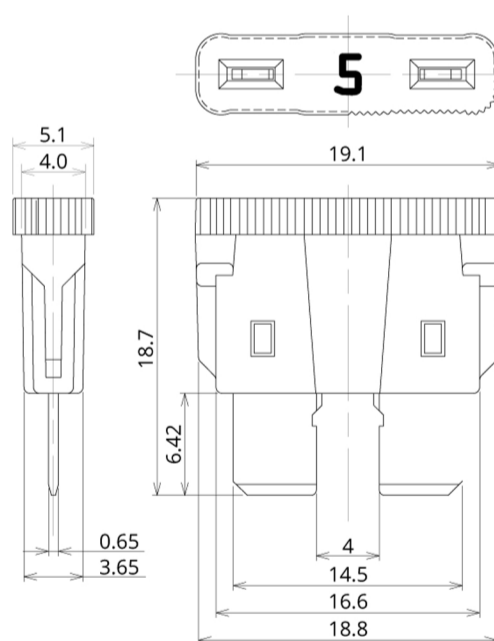
Time-Current Characteristic

| % of Ampere Rating(A) | Operating Time | |
|-----------------------|----------------|---------|
| | Min | Max |
| 110% | 100hrs. | — |
| 135% | 0.75sec. | 600sec. |
| 160% | 0.25sec. | 50sec. |
| 200% | 0.15sec. | 5sec. |
| 350% | 0.04sec. | 0.5sec. |
| 600% | 0.02sec. | 0.1sec. |

*The fuse characteristic may change depending on the conditions of use.

24

Dimensions



Time-Current Characteristic Chart

