

SBFC-JT

Low-amperage plug-in type fuse



General Specification

Rated Voltage	DC32V
Breaking Capacity	1000A
Recommended Operating Temp.	-40°C~120°C*2
Standard	ISO8820-4
Country of Origin	—
Plating	—
Standard Packaging	3,000
Insertion Force	44.1N
Pull-out Load	9.8N~24.5N
Recommended Torque	—

Product Lineup

Ampere Rating(A)	Housing Colors	Resistance Value	Voltage Drop*1
20	Light Blue	4.8 mΩ	113 mV
25	White	3.7 mΩ	105 mV
30	Pink	3.1 mΩ	106 mV
40	Green	2.0 mΩ	92 mV
50	Red	1.7 mΩ	92 mV
60	Yellow	1.2 mΩ	93 mV

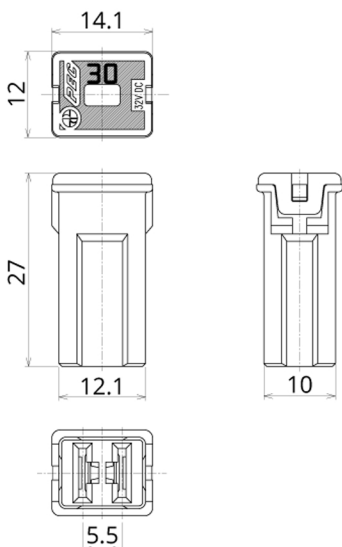
*1 Voltage drop: apply 100% of the rated current.

Time-Current Characteristic

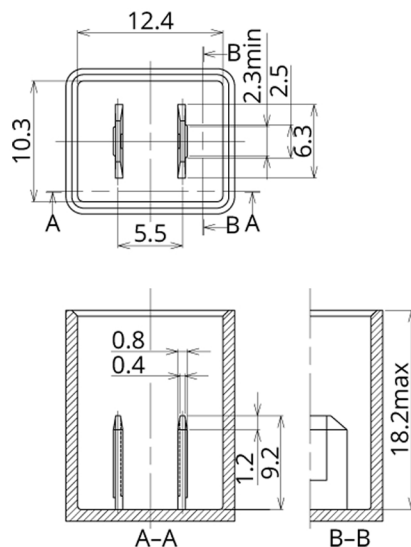
% of Ampere Rating(A)	Operating Time	
	Min	Max
110%	100hrs.	—
135%	60sec.	1800sec.
200%	5sec.	60sec.
350%	0.2sec.	7sec.
600%	0.04sec.	1sec.

*The fuse characteristic may change depending on the conditions of use.

Dimensions



Cavity



Time-Current Characteristic Chart

