

# PCB Tact Switch

PCB SQ. 3.8 mm 12 VDC 50 mA Through Hole THT



## FEATURES:

Contact Resistance: 100m-ohms max. @ 1A 2 - 4 VDC

Insulation Resistance: 100M-ohms max. @ 500VDC

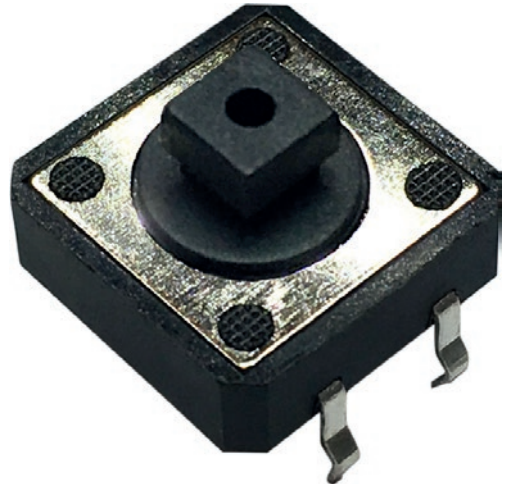
Withstand Voltage: 100VAC RMS for 1 min

Endurance: 10.000 cycles @ 10 cpm

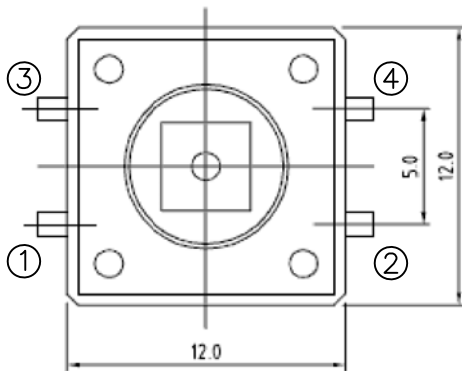
Total Travel: 0.25 mm

## SPECIFICATION:

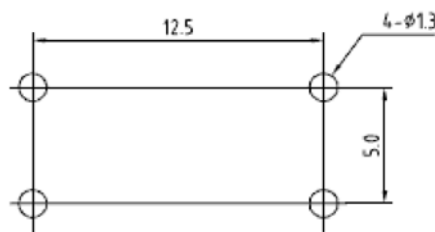
Switching type	Momentary function
Switching type, ( )momentary	(on)-off
Rated current	50 mA
Rated voltage	12 VDC
Actuation force	2.45 N
Poles	1
Mounting	Through Hole THT
Termination type	PCB
Colour	black/grey
Temperature range	-20...+70 °C
Construction form	Tact switch
Height	7.3 mm
Length	12 mm
Width	12 mm



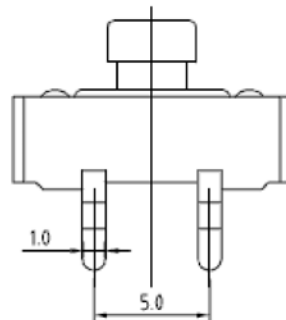
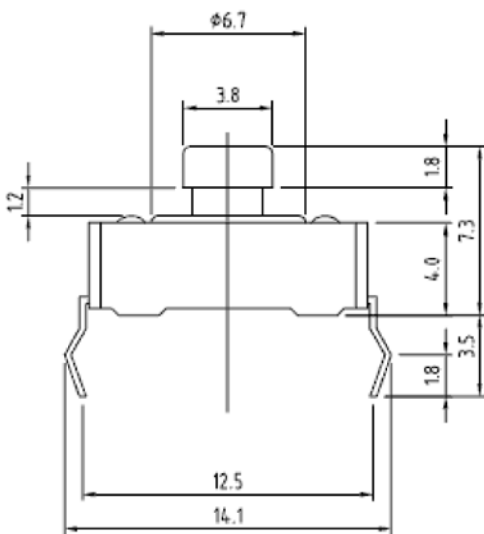
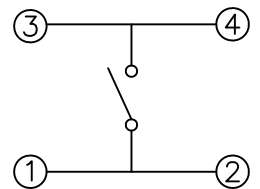
## DRAWING



### P.C.B LAYOUT



### CIRCUIT DIAGRAM



Art. Nr.

RND 210-00200

# PCB Tact Switch

PCB SQ. 3.8 mm 12 VDC 50 mA Through Hole THT



## Suitable Switch Caps



RND 210-00229



RND 210-00231



RND 210-00233



RND 210-00235



RND 210-00237



RND 210-00230



RND 210-00232



RND 210-00234



RND 210-00236



RND 210-00238

Cap material: ABS - PA707