

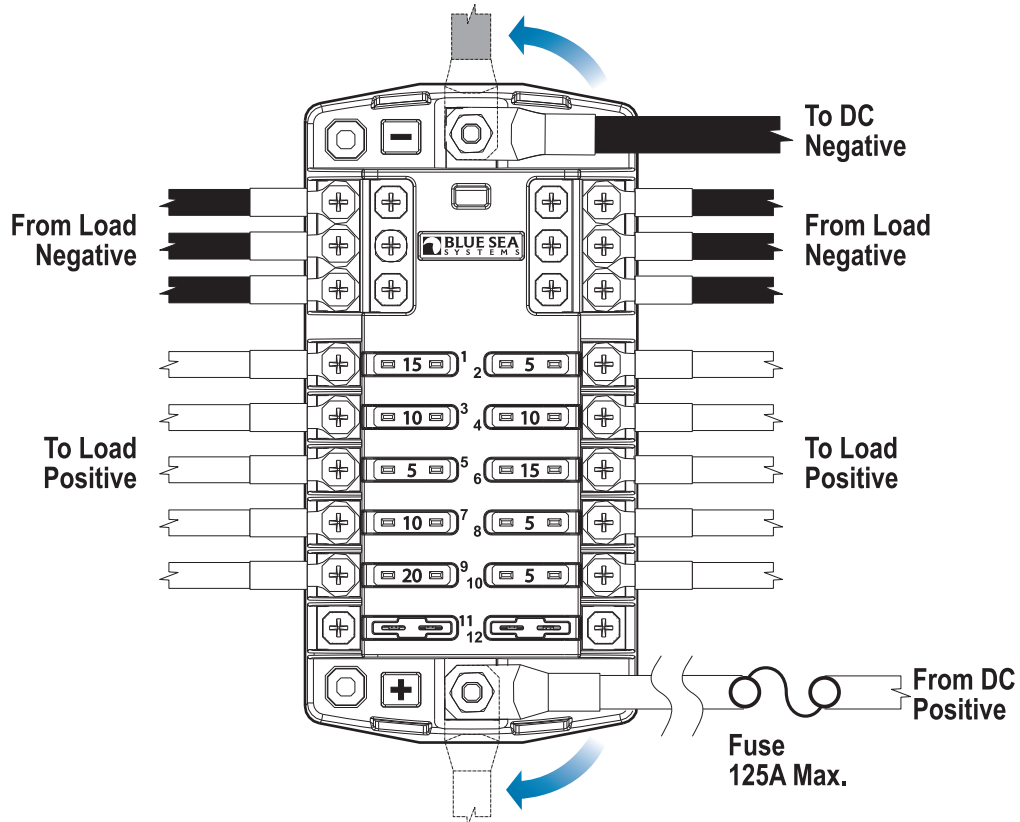
BLUE SEA SYSTEMS

Marine Electrical Products

ST Blade Fuse Block

12 Circuits with Negative Bus
PN 5026 / PN 5031

Wiring Diagram



Application Note: This device is intended for branch circuit protection. Suitable main circuit protection of not more than 125A rating should be provided ahead of this device with an interrupt current rating consistent with the battery capacity. Consult ABYC E-11 Table V. See "Circuit Protection" at www.blueseasystems.com.



425 Sequoia Drive
Bellingham, WA 98226 USA
p 360.738.8230
p 800.222.7617 USA and Canada Customer Service
f 360.734.4195

conductor@blueseasystems.com
www.blueseasystems.com