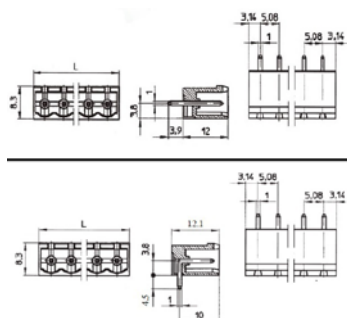


Pluggable Terminal Blocks

5.08 mm Pitch, Closed Ended



Closed ended
Polarised mouldings
Guided pin alignment

SPECIFICATION:

Gender of contacts	Male
Pitch	5.08 mm
Termination type	Solder Pin [PCB, Through-Hole]
Combustibility class	UL 94 V-0
Colour	green
Temperature range	-33...+120 °C

PRODUCT RANGE:

Art. Nr.	Poles	Component type	Length	Connection direction
RND 205-00188	2	PCB header straight	11.4 mm	vertical
RND 205-00189	3	PCB header straight	16.4 mm	vertical
RND 205-00190	4	PCB header straight	21.5 mm	vertical
RND 205-00191	5	PCB header straight	26.6 mm	vertical
RND 205-00192	6	PCB header straight	31.7 mm	vertical
RND 205-00194	8	PCB header straight	41.8 mm	vertical
RND 205-00195	9	PCB header straight	46.9 mm	vertical
RND 205-00199	2	PCB header 90°	11.4 mm	horizontal
RND 205-00200	3	PCB header 90°	16.4 mm	horizontal
RND 205-00201	4	PCB header 90°	21.5 mm	horizontal
RND 205-00202	5	PCB header 90°	26.6 mm	horizontal
RND 205-00203	6	PCB header 90°	31.7 mm	horizontal
RND 205-00205	8	PCB header 90°	41.8 mm	horizontal
RND 205-00206	9	PCB header 90°	46.9 mm	horizontal