

TRIPLE DIFFUSED PLANER TYPE  
HIGH VOLTAGE, HIGH SPEED SWITCHING

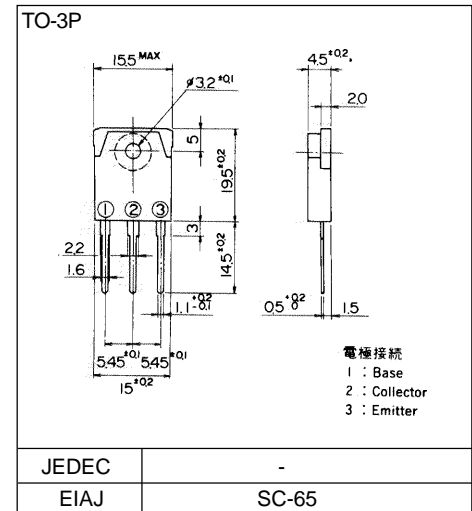
## ■ Features

- High voltage, High speed switching
- High reliability

## ■ Applications

- Switching regulators
- Ultrasonic generators
- High frequency inverters
- General purpose power amplifiers

## ■ Outline Drawings



## ■ Maximum ratings and characteristics

### ● Absolute maximum ratings (Tc=25°C unless otherwise specified)

Item	Symbol	Ratings	Unit
Collector-Base voltage	V <sub>CB0</sub>	450	V
Collector-Emitter voltage	V <sub>CEO</sub>	400	V
Collector-Emitter voltage	V <sub>CEO(SUS)</sub>	400	V
Emitter-Base voltage	V <sub>EBO</sub>	7	V
Collector current	I <sub>C</sub>	10	A
Base current	I <sub>B</sub>	3	A
Collector power dissipation	P <sub>C</sub>	80	W
Operating junction temperature	T <sub>j</sub>	+150	°C
Storage temperature	T <sub>stg</sub>	-55 to +150	°C

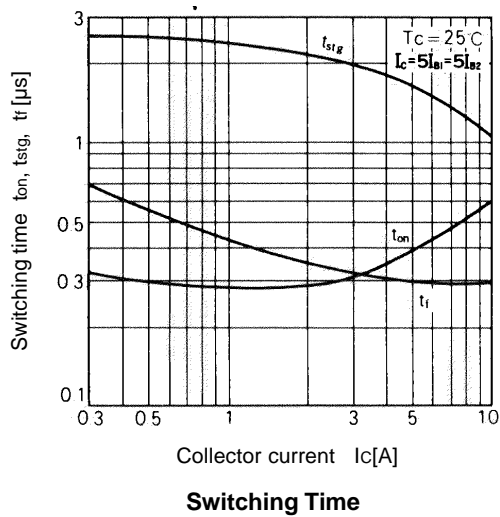
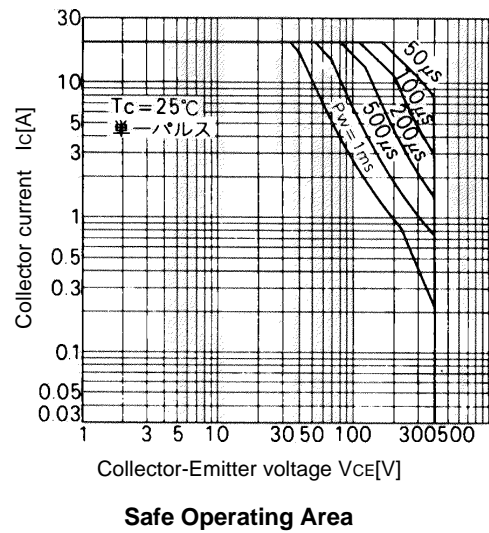
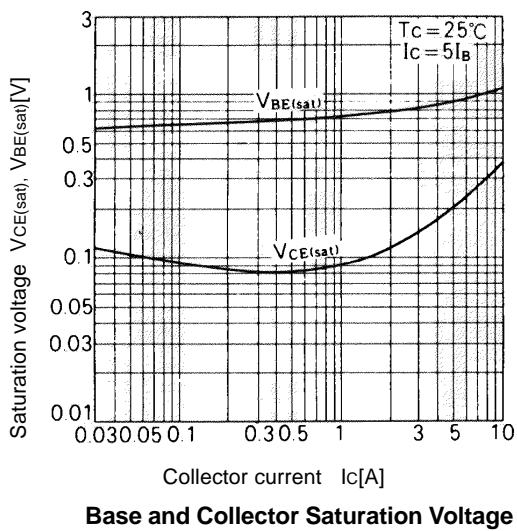
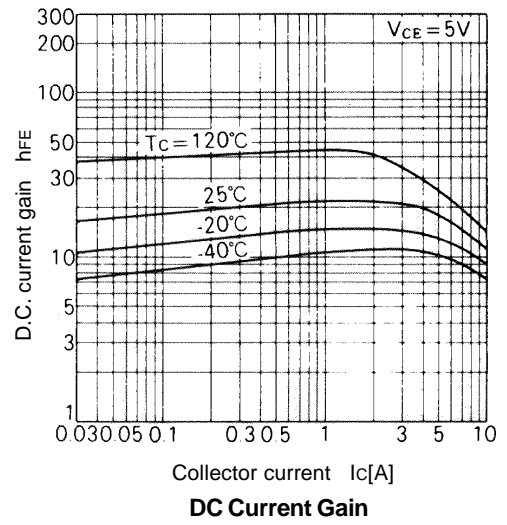
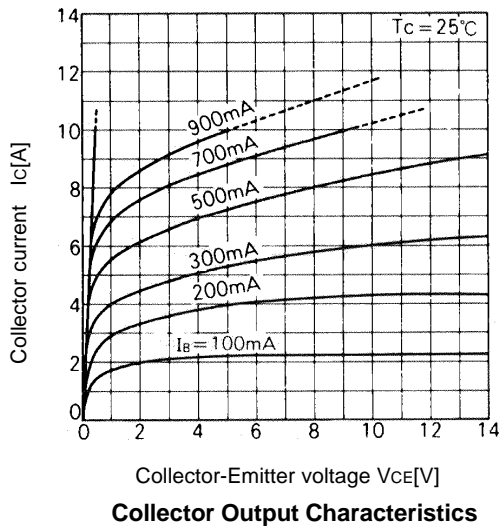
### ● Electrical characteristics (Tc =25°C unless otherwise specified)

Item	Symbol	Test Conditions	Min.	Typ.	Max.	Units
Collector-Base voltage	V <sub>CB0</sub>	I <sub>CBO</sub> = 1mA	450			V
Collector-Emitter voltage	V <sub>CEO</sub>	I <sub>CEO</sub> = 10mA	400			V
Collector-Emitter voltage	V <sub>CEO(SUS)</sub>	I <sub>C</sub> = 1A	400	-		V
Emitter-Base voltage	V <sub>EBO</sub>	I <sub>EBO</sub> = 0.1mA	7	-		V
Collector-Base leakage current	I <sub>CBO</sub>	V <sub>CB0</sub> = 450V		-	1.0	mA
Emitter-Base leakage current	I <sub>EBO</sub>	V <sub>EBO</sub> = 7V		-	0.1	mA
D.C. current gain	h <sub>FE</sub>	I <sub>C</sub> = 4A, V <sub>CE</sub> = 5V	10			
Collector-Emitter saturation voltage	V <sub>CE(Sat)</sub>	I <sub>C</sub> = 4A, I <sub>B</sub> = 0.8A			1.2	V
Base-Emitter saturation voltage	V <sub>BE(Sat)</sub>				1.5	V
*1 Switching time	t <sub>on</sub>	I <sub>C</sub> = 7.5A, I <sub>B1</sub> = -I <sub>B2</sub> = 1.5A R <sub>L</sub> = 20 ohm, P <sub>w</sub> = 20μs Duty=<2%			1.0	μs
	t <sub>stg</sub>				2.0	μs
	t <sub>f</sub>				1.0	μs

### ● Thermal characteristics

Item	Symbol	Test Conditions	Min.	Typ.	Max.	Units
Thermal resistance	R <sub>th(j-c)</sub>	Junction to case			1.55	°C/W

Characteristics



\*1 Switching Time Test Circuit

