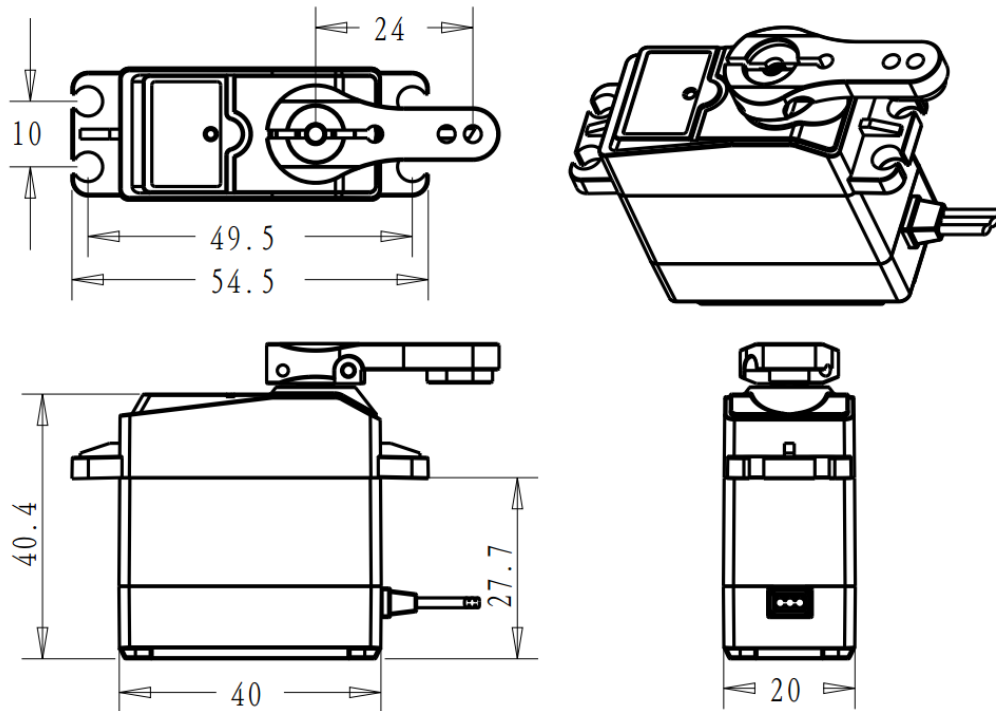




产品型号 (Product Name): DS3225

产品描述 (Product Description): 6V 25kg RC Digital Servo

产 品 图 (Drawing)



1. 使用环境条件 Apply Environmental Condition

| No. | Item | Specification |
|-----|----------------------------------|---------------|
| 1-1 | 存储温度 Storage Temperature Range | -30°C ~ 80°C |
| 1-2 | 运行温度 Operating Temperature Range | -15°C ~ 70°C |
| 1-3 | 工作电压范围 Operating Voltage Range | 4.8-6.8V |

2. 机械特性 Mechanical Specification

| No. | Item | Specification |
|-----|-----------------------------|----------------|
| 2-1 | 尺寸 Size | 40*20*40.5mm |
| 2-2 | 重量 Weight | 60g |
| 2-3 | 齿轮比 Gear ratio | 275 |
| 2-4 | 轴承 Bearing | Double bearing |
| 2-5 | 舵机线 Connector wire | 300±5mm |
| 2-6 | 马达 Motor | 3-pole(s) |
| 2-7 | 防水性能 Waterproof performance | IP66 |



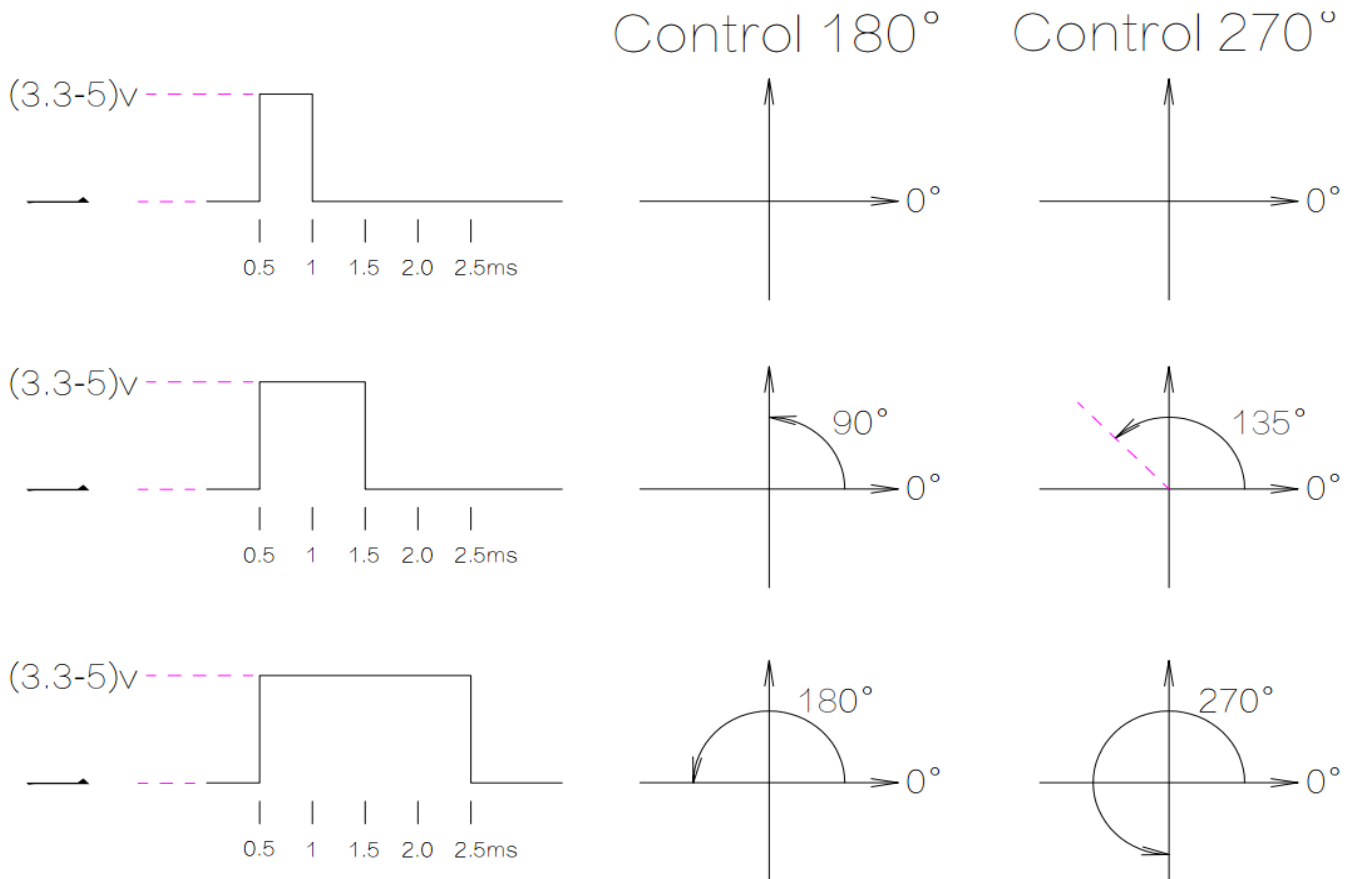
3. 电气特性 Electrical Specification

| No. | 工作电压 Operating Voltage | 5V | 6.8V |
|-----|-----------------------------------|--------------|-------------|
| 3-1 | 待机电流 Idle current(at stopped) | 4mA | 5mA |
| 3-2 | 空载转速 Operating speed (at no load) | 0.15 sec/60° | 0.13sec/60° |
| 3-3 | 堵转扭矩 Stall torque (at locked) | 21 kg-cm | 24.5 kg-cm |
| 3-4 | 堵转电流 Stall current (at locked) | 1.9A | 2.3A |

4. 控制特性 Control Specification

| No. | Item | Specification |
|-----|--------------------------|---------------------------------------|
| 4-1 | 驱动方式 Control System | PWM(Pulse width modification) |
| 4-2 | 脉宽范围 Pulse width range | 500~2500 μsec |
| 4-3 | 中点位置 Neutral position | 1500 μsec |
| 4-4 | 控制角度 Running degree | 180° or 270° (when 500~2500 μ sec) |
| 4-5 | 控制精度 Dead band width | 3 μsec |
| 4-6 | 控制频率 Operating frequency | 50-330Hz |
| 4-7 | 旋转方向 Rotating direction | Counterclockwise (when 500~2500 μsec) |

5. 关于 PWM 控制说明 About PWM Control



更多的舵机规格书和 3D 模型，请到网站下载(For more servo datasheet and 3D files, please go to the website to download) www.dsservo.com