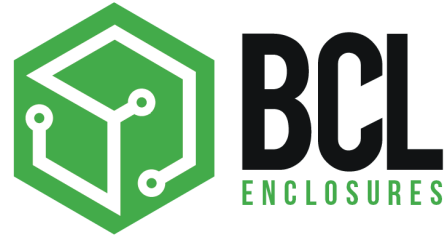


Technical Information:

## PBL7 - FLANGED ABS BOX GENERAL PURPOSE BOXES WITH BASE



### OVERVIEW

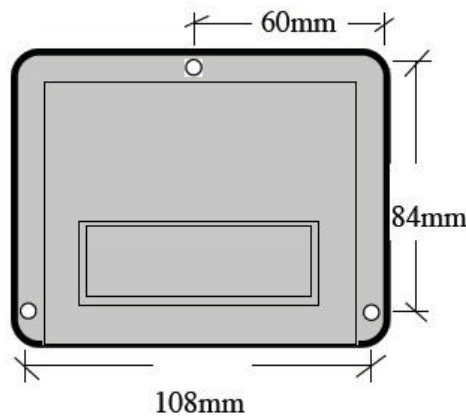
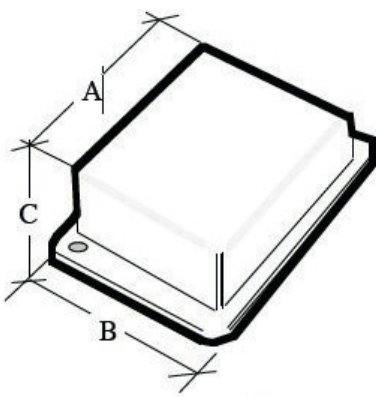
This box is moulded in ABS to give maximum strength but can be easily punched or drilled for individual requirements.

In black as standard but with this box has a separate self-locking base and seven numbered slots provided for wires or 0.25" PCB mounting blades. A raised panel is provided for labels. The smart appearance makes it ideal for many design critical applications.

Other RAL colours are available on request.



PART NO	A (MM)	B (MM)	OVERALL DIMENSIONS				HOLE DIAMETER	NOMINAL WALL THICKNESS (MM)
			C (MM)	OVERALL LENGTH	FIXING CENTRES			
PBL7	100	95	42	120	108 x 84	5.0	2.0	



VIEW OUR ENTIRE RANGE AT [BCLENCLOSURES.COM](http://BCLENCLOSURES.COM)

