

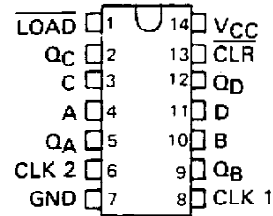
**SN54196, SN54197, SN54LS196, SN54LS197, SN54S196, SN54S197,  
SN74196, SN74197, SN74LS196, SN74LS197, SN74S196, SN74S197  
50/30/100-MHz PRESETTABLE DECADE OR BINARY COUNTERS/LATCHES**

OCTOBER 1976—REVISED MARCH 1988

- Performs BCD, Bi-Quinary, or Binary Counting
- Fully Programmable
- Fully Independent Clear Input
- Input Clamping Diodes Simplify System Design
- Output QA Maintains Full Fan-out Capability In Addition to Driving Clock-2 Input

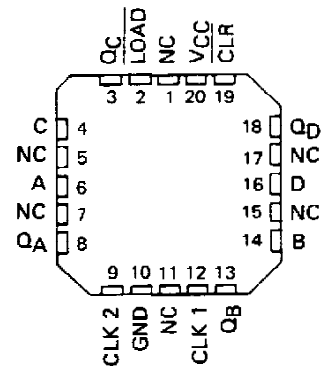
SN54196, SN54LS196, SN54S196,  
SN54197, SN54LS197, SN54S197 . . . J OR W PACKAGE  
SN74196, SN74197 . . . N PACKAGE  
SN74LS196, SN74S196,  
SN74LS197, SN74S197 . . . D OR N PACKAGE

(TOP VIEW)



SN54LS196, SN54S196,  
SN54LS197, SN54S197 . . . FK PACKAGE

(TOP VIEW)



NC - No internal connection

TYPES	GUARANTEED COUNT FREQUENCY		TYPICAL POWER DISSIPATION
	CLOCK 1	CLOCK 2	
'196, '197	0-50 MHz	0-25 MHz	240 mW
'LS196, 'LS197	0-30 MHz	0-15 MHz	80 mW
'S196, 'S197	0-100 MHz	0-50 MHz	375 mW

**description**

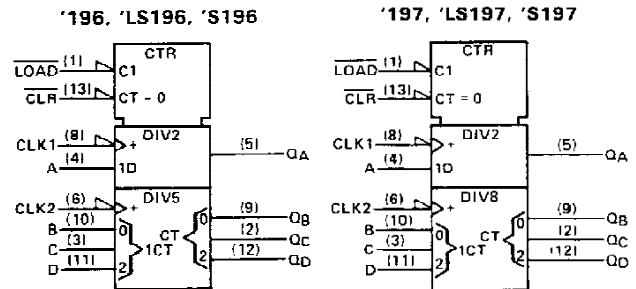
These high-speed monolithic counters consist of four d-c coupled, master-slave flip-flops, which are internally interconnected to provide either a divide-by-two and a divide-by-five counter ('196, 'LS196, 'S196) or a divide-by-two and a divide-by-eight counter ('197, 'LS197, 'S197). These four counters are fully programmable; that is, the outputs may be preset to any state by placing a low on the count/load input and entering the desired data at the data inputs. The outputs will change to agree with the data inputs independent of the state of the clocks.

During the count operation, transfer of information to the outputs occurs on the negative-going edge of the clock pulse. These counters feature a direct clear which when taken low sets all outputs low regardless of the states of the clocks.

These counters may also be used as 4-bit latches by using the count/load input as the strobe and entering data at the data inputs. The outputs will directly follow the data inputs when the count/load is low, but will remain unchanged when the count/load is high and the clock inputs are inactive.

All inputs are diode-clamped to minimize transmission-line effects and simplify system design. These circuits are compatible with most TTL logic families. Series 54, 54LS, and 54S circuits are characterized for operation over the full military temperature range of -55°C to 125°C; Series 74, 74LS, and 74S circuits are characterized for operation from 0°C to 70°C.

**logic symbols†**



† These symbols are in accordance with ANSI/IEEE Std 91-1984 and IEC Publication 617-12. Pin numbers shown are for D, J, N, and W packages.

PRODUCTION DATA documents contain information current as of publication date. Products conform to specifications per the terms of Texas Instruments standard warranty. Production processing does not necessarily include testing of all parameters.



POST OFFICE BOX 855012 • DALLAS, TEXAS 75285

**SN54196, SN54197, SN54LS196, SN54LS197, SN54S196, SN54S197,  
SN74196, SN74197, SN74LS196, SN74LS197, SN74S196, SN74S197  
50/30/100-MHz PRESETTABLE DECADE OR BINARY COUNTERS/LATCHES**

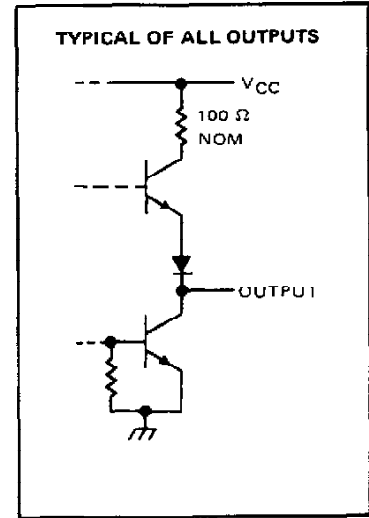
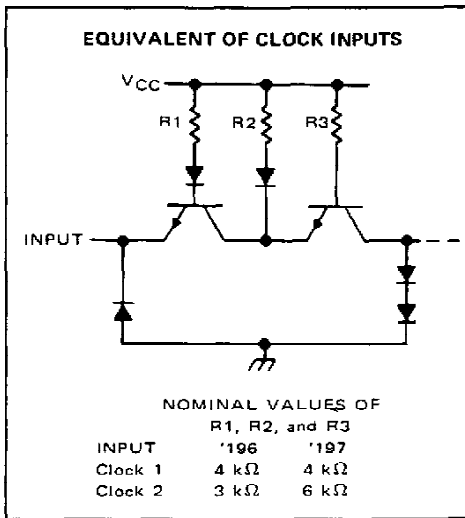
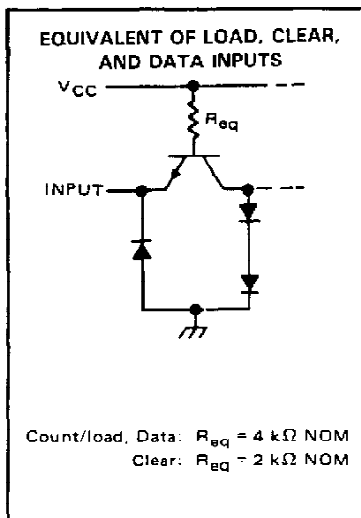
**typical count configurations**

'196, 'LS196, and 'S196 typical count configurations and function tables are the same as those for '176.  
'197, 'LS197, and 'S197 typical count configurations and function tables are the same as those for '177.

**logic diagrams**

'196, 'LS196, and 'S196 logic diagrams are the same as those for '176.  
'197, 'LS197, and 'S197 logic diagrams are the same as those for '177.

**schematics of inputs and outputs**



# SN54196, SN54197, SN74196, SN74197 50-MHz PRESETTABLE DECADE OR BINARY COUNTERS/LATCHES

## absolute maximum ratings over operating free-air temperature range (unless otherwise noted)

Supply voltage, $V_{CC}$ (see Note 1)	7 V
Input voltage	5.5 V
Interemitter voltage (see Note 2)	5.5 V
Operating free-air temperature range: SN54196, SN54197 Circuits	-55°C to 125°C
SN74196, SN74197 Circuits	0°C to 70°C
Storage temperature range	-65°C to 150°C

- NOTES: 1. Voltage values are with respect to network ground terminal.  
 2. This is the voltage between two emitters of a multiple-emitter transistor. For this circuit, this rating applies between the Clear and Load inputs.

## recommended operating conditions

	SN54196, SN54197			SN74196, SN74197			UNIT
	MIN	NOM	MAX	MIN	NOM	MAX	
Supply voltage, $V_{CC}$	4.5	5	5.5	4.75	5	5.25	V
High-level output current, $I_{OH}$			-800			-800	$\mu$ A
Low-level output current, $I_{OL}$			16			16	mA
Count frequency	Clock-1 input	0	50	0		50	MHz
	Clock-2 input	0	25	0		25	
Pulse width, $t_w$	Clock-1 input	10		10			ns
	Clock-2 input	20		20			
	Clear	15		15			
	Load	20		20			
Input hold time, $t_H$ (see Note 3)	High-level data	$t_w(\text{load})$		$t_w(\text{load})$			ns
	Low-level data	$t_w(\text{load})$		$t_w(\text{load})$			
Input setup time, $t_{SU}$ (see Note 3)	High-level data	10		10			ns
	Low-level data	15		15			
Count enable time, $t_{EN}$ (see Note 4)		20		20			ns
Operating free-air temperature, $T_A$		-55	125	0		70	°C

- NOTES: 3. Setup and hold times are with respect to the falling edge of the load input.  
 4. Minimum count enable time is the interval immediately preceding the negative-going edge of the clock pulse during which interval the count/load and clear inputs must both be high to ensure counting.



# SN54196, SN54197, SN74196, SN74197

## 50-MHz PRESETTABLE DECADE OR BINARY COUNTERS/LATCHES

electrical characteristics over recommended operating free-air temperature range (unless otherwise noted)

PARAMETER	TEST CONDITIONS†	SN54196, SN74196			SN54197, SN74197			UNIT
		MIN	TYP‡	MAX	MIN	TYP‡	MAX	
V <sub>IH</sub> High-level input voltage		2			2			V
V <sub>IL</sub> Low-level input voltage		0.8			0.8			V
V <sub>IK</sub> Input clamp voltage	V <sub>CC</sub> = MIN, I <sub>I</sub> = -12 mA	-1.5			-1.5			V
V <sub>OH</sub> High-level output voltage	V <sub>CC</sub> = MIN, V <sub>IH</sub> = 2 V, V <sub>IL</sub> = 0.8 V, I <sub>OH</sub> = -800 µA	2.4	3.4		2.4	3.4		V
V <sub>OL</sub> Low-level output voltage	V <sub>CC</sub> = MIN, V <sub>IH</sub> = 2 V, V <sub>IL</sub> = 0.8 V, I <sub>OL</sub> = 16 mA¶	0.2	0.4		0.2	0.4		V
I <sub>I</sub> Input current at maximum input voltage	V <sub>CC</sub> = MAX, V <sub>I</sub> = 5.5 V	1			1			mA
I <sub>IH</sub> High-level input current	Data, Load	40			40			µA
	Clear, clock 1	80			80			
	Clock 2	120			80			
I <sub>IL</sub> Low-level input current	Data, Load	-1.6			-1.6			mA
	Clear	-3.2			-3.2			
	Clock 1	-4.8			-4.8			
	Clock 2	-6.4			-3.2			
I <sub>OS</sub> Short-circuit output current §	V <sub>CC</sub> = MAX	SN54'	-20	-57	-20	-57	mA	
		SN74'	-18	-57	-18	-57		
I <sub>CC</sub> Supply current	V <sub>CC</sub> = MAX, See Note 5	48	59		48	59	mA	

NOTE 5: I<sub>CC</sub> is measured with all inputs grounded and all outputs open.

†For conditions shown as MIN or MAX, use the appropriate value specified under recommended operating conditions.

‡All typical values are at V<sub>CC</sub> = 5 V, T<sub>A</sub> = 25°C.

§Not more than one output should be shorted at a time.

¶Q<sub>A</sub> outputs are tested at I<sub>OL</sub> = 16 mA plus the limit value of I<sub>IL</sub> for the clock-2 input. This permits driving the clock-2 input while fanning out to 10 Series 54/74 loads.

switching characteristics, V<sub>CC</sub> = 5 V, T<sub>A</sub> = 25°C

PARAMETER #	FROM (INPUT)	TO (OUTPUT)	TEST CONDITIONS	SN54196			SN54197			UNIT
				MIN	TYP	MAX	MIN	TYP	MAX	
f <sub>max</sub>	Clock 1	Q <sub>A</sub>	C <sub>L</sub> = 15 pF, R <sub>L</sub> = 400 Ω, See Note 6	50	70		50	70		MHz
t <sub>PLH</sub>	Clock 1	Q <sub>A</sub>		7	12		7	12		ns
t <sub>PHL</sub>				10	15		10	15		
t <sub>PLH</sub>	Clock 2	Q <sub>B</sub>		12	18		12	18		ns
t <sub>PHL</sub>				14	21		14	21		
t <sub>PLH</sub>	Clock 2	Q <sub>C</sub>		24	36		24	36		ns
t <sub>PHL</sub>				28	42		28	42		
t <sub>PLH</sub>	Clock 2	Q <sub>D</sub>		14	21		36	54		ns
t <sub>PHL</sub>				12	18		42	63		
t <sub>PLH</sub>	A, B, C, D	Q <sub>A</sub> , Q <sub>B</sub> , Q <sub>C</sub> , Q <sub>D</sub>		16	24		16	24		ns
t <sub>PHL</sub>				25	38		25	38		
t <sub>PLH</sub>	Load	Any		22	33		22	33		ns
t <sub>PHL</sub>				24	36		24	36		
t <sub>PHL</sub>	Clear	Any		25	37		25	37		ns

#f<sub>max</sub> = maximum count frequency.

t<sub>PLH</sub> = propagation delay time, low-to-high-level output.

t<sub>PHL</sub> = propagation delay time, high-to-low-level output.

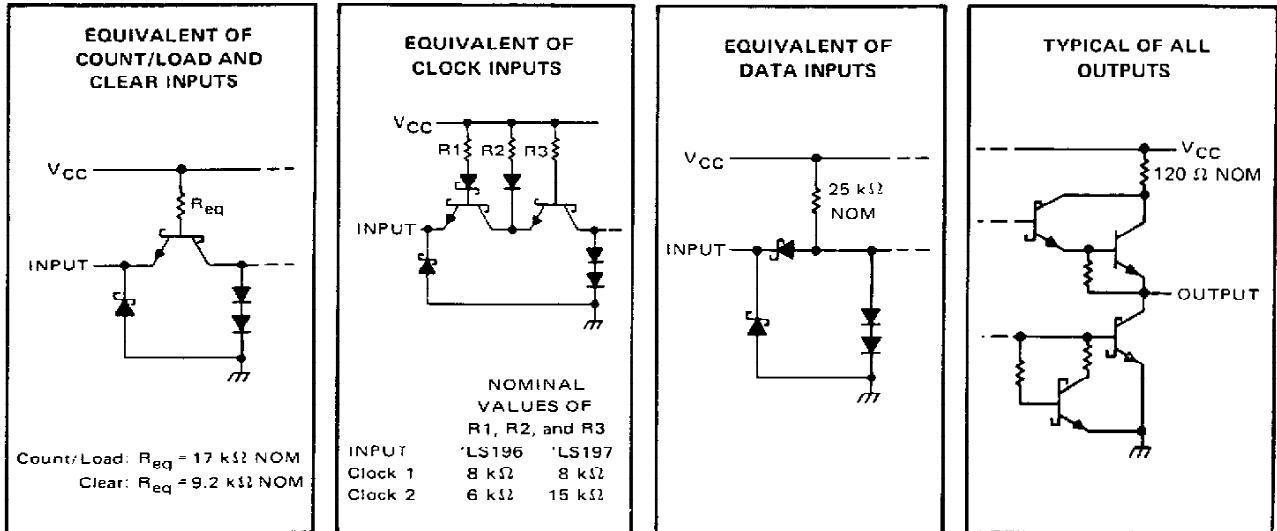
NOTE 6: Load circuit, input conditions, and voltage waveforms are the same as those shown for the '176, '177 except that testing f<sub>max</sub>, V<sub>IL</sub> = 0.3 V.

TEXAS  
INSTRUMENTS

POST OFFICE BOX 655012 • DALLAS, TEXAS 75265

# SN54LS196, SN54LS197, SN74LS196, SN74LS197 30-MHz PRESETTABLE DECADE OR BINARY COUNTERS/LATCHES

## schematics of inputs and outputs



## absolute maximum ratings over operating free-air temperature range (unless otherwise noted)

Supply voltage, $V_{CC}$ (see Note 1)	7 V
Input voltage	5.5 V
Operating free-air temperature range: SN54LS196, SN54LS197 Circuits	-55°C to 125°C
SN74LS196, SN74LS197 Circuits	0°C to 70°C
Storage temperature range	-65°C to 150°C

NOTE 1: Voltage values are with respect to network ground terminal.

## recommended operating conditions

		SN54LS196, SN54LS197			SN74LS196, SN74LS197			UNIT		
		MIN	NOM	MAX	MIN	NOM	MAX			
$V_{CC}$	Supply voltage	4.5	5	5.5	4.75	5	5.25	V		
$I_{OH}$	High-level output current				-400			$\mu\text{A}$		
$I_{OL}$	Low-level output current				8			mA		
Count frequency	Clock-1 input	0		30	0		30	MHz		
	Clock-2 input	0		15	0		15			
$t_w$	Pulse width	Clock-1 input	20		20		ns			
		Clock-2 input	30		30					
		Clear	15		15					
		Load	20		20					
$t_h$	Input hold time, (see Note 3)	High-level data	$t_w(\text{load})$		$t_w(\text{load})$		ns			
		Low-level data	$t_w(\text{load})$		$t_w(\text{load})$					
$t_{su}$	Input setup time, (see Note 3)	High-level data	10		10		ns			
		Low-level data	15		15					
$t_{enable}$	Count enable time, (see Note 4)	Clock 1	30		30		ns			
		Clock 2	50		50					
$T_A$	Operating free-air temperature	-55			125			0	70	°C

NOTES: 3. Setup and hold times are with respect to the falling edge of the load input.

4. Minimum count enable time is the interval immediately preceding the negative-going edge of the clock pulse during which interval the count/load and clear inputs must both be high to ensure counting.



# SN54LS196, SN54LS197, SN74LS196, SN74LS197

## 30-MHz PRESETTABLE DECADE OR BINARY COUNTERS/LATCHES

electrical characteristics over recommended operating free-air temperature range (unless otherwise noted)

PARAMETER	TEST CONDITIONS†	SN54LS196		SN74LS196		UNIT		
		SN54LS197	MIN	TYP‡	MAX		MIN	TYP‡
V <sub>IH</sub> High-level input voltage		2			2		V	
V <sub>IL</sub> Low-level input voltage			0.7			0.8	V	
V <sub>IK</sub> Input clamp voltage	V <sub>CC</sub> = MIN, I <sub>I</sub> = -18 mA		-1.5			-1.5	V	
V <sub>OH</sub> High-level output voltage	V <sub>CC</sub> = MIN, V <sub>IH</sub> = 2 V, V <sub>IL</sub> = V <sub>IL max</sub> , I <sub>OH</sub> = -400 µA	2.5	3.4		2.7	3.4	V	
V <sub>OL</sub> Low-level output voltage	V <sub>CC</sub> = MIN, V <sub>IH</sub> = 2 V, V <sub>IL</sub> = V <sub>IL max</sub>	I <sub>OL</sub> = 4 mA‡	0.25	0.4	0.25	0.4	V	
		I <sub>OL</sub> = 8 mA‡			0.35	0.5		
I <sub>I</sub> Input current at maximum input voltage	Data, Load		0.1			0.1	mA	
	Clear, clock 1		0.2			0.2		
	Clock 2 of 'LS196		0.4			0.4		
	Clock 2 of 'LS197		0.2			0.2		
I <sub>IH</sub> High-level input current	Data, Load		20			20	µA	
	Clear, clock 1		40			40		
	Clock 2 of 'LS196		80			80		
	Clock 2 of 'LS197		40			40		
I <sub>IL</sub> Low-level input current	Data, Load		-0.4			-0.4	mA	
	Clear		-0.8			-0.8		
	Clock 1		-2.4			-2.4		
	Clock 2 of 'LS196		-2.8			-2.8		
	Clock 2 of 'LS197		-1.3			-1.3		
I <sub>OS</sub> Short-circuit output current§	V <sub>CC</sub> = MAX	-20		-100	-20		-100	mA
I <sub>CC</sub> Supply current	V <sub>CC</sub> = MAX, See Note 5	16		27	16		27	mA

† For conditions shown as MIN or MAX, use the appropriate value specified under recommended operating conditions.

‡ All typical values are at V<sub>CC</sub> = 5 V, T<sub>A</sub> = 25°C.

§ Not more than one output should be shorted at a time, and duration of the short-circuit should not exceed one second.

\* Q<sub>A</sub> outputs are tested at specified I<sub>OL</sub> plus the limit value of I<sub>IL</sub> for the clock-2 input. This permits driving the clock-2 input while maintaining full fan-out capability.

NOTE 5: I<sub>CC</sub> is measured with all inputs grounded and all outputs open.

### switching characteristics, V<sub>CC</sub> = 5 V, T<sub>A</sub> = 25°C

PARAMETER #	FROM (INPUT)	TO (OUTPUT)	TEST CONDITIONS	SN54LS196		SN54LS197		UNIT	
				SN74LS196	MIN	TYP	MAX		MIN
f <sub>max</sub>	Clock 1	Q <sub>A</sub>	C <sub>L</sub> = 15 pF, R <sub>L</sub> = 2 kΩ, See Note 6	30	40		30	40	MHz
t <sub>PLH</sub>	Clock 1	Q <sub>A</sub>		8	15		8	15	ns
t <sub>PHL</sub>				13	20		14	21	
t <sub>PLH</sub>	Clock 2	Q <sub>B</sub>		16	24		12	19	ns
t <sub>PHL</sub>				22	33		23	35	
t <sub>PLH</sub>	Clock 2	Q <sub>C</sub>		38	57		34	51	ns
t <sub>PHL</sub>				41	62		42	63	
t <sub>PLH</sub>	Clock 2	Q <sub>D</sub>		12	18		55	78	ns
t <sub>PHL</sub>				30	45		63	95	
t <sub>PLH</sub>	A, B, C, D	Q <sub>A</sub> , Q <sub>B</sub> , Q <sub>C</sub> , Q <sub>D</sub>		20	30		18	27	ns
t <sub>PHL</sub>				29	44		29	44	
t <sub>PLH</sub>	Load	Any		27	41		26	39	ns
t <sub>PHL</sub>				30	45		30	45	
t <sub>PHL</sub>	Clear	Any		34	51		34	51	ns

#f<sub>max</sub> ≡ maximum count frequency.

t<sub>PLH</sub> ≡ propagation delay time, low-to-high-level output, t<sub>PHL</sub> ≡ propagation delay time, high-to-low-level output.

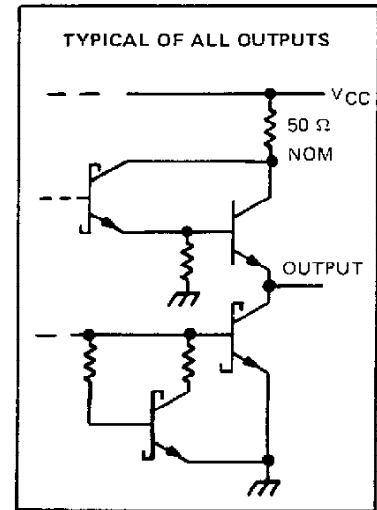
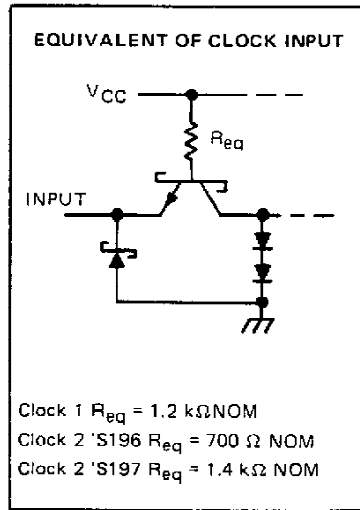
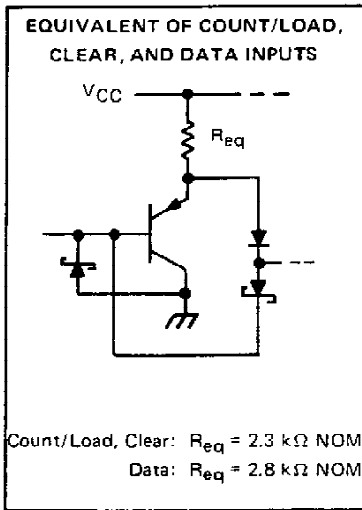
NOTE 6: Load circuit, input conditions, and voltage waveforms are the same as those shown for the '176, '177 except that t<sub>r</sub> ≤ 15 ns, t<sub>f</sub> ≤ 6 ns, and V<sub>ref</sub> = 1.3 V (as opposed to 1.5 V).

TEXAS  
INSTRUMENTS

POST OFFICE BOX 655012 • DALLAS, TEXAS 75265

# SN54S196, SN54S197, SN74S196, SN74S197 100-MHz PRESETTABLE DECADE OR BINARY COUNTERS/LATCHES

## schematics of inputs and outputs



## absolute maximum ratings over operating free-air temperature range (unless otherwise noted)

Supply voltage, $V_{CC}$ (see Note 1)	7 V
Input voltage	5.5 V
Operating free-air temperature range: SN54S196, SN54S197 Circuits	-55°C to 125°C
SN74S196, SN74S197 Circuits	0°C to 70°C
Storage temperature range	-65°C to 150°C

NOTE 1: Voltage values are with respect to network ground terminal.

## recommended operating conditions

		SN54S196, SN54S197			SN74S196, SN74S197			UNIT
		MIN	NOM	MAX	MIN	NOM	MAX	
Supply voltage, $V_{CC}$		4.5	5	5.5	4.75	5	5.25	V
High-level output current, $I_{OH}$		-1			-1			mA
Low-level output current, $I_{OL}$		20			20			mA
Clock frequency	Clock-1 input	0		100	0		100	MHz
	Clock-2 input	0		50	0		50	
Pulse width, $t_w$	Clock-1 input	5			5			ns
	Clock-2 input	10			10			
	Clear	30			30			
	Load	5			5			
Input hold time, $t_H$ (see Note 3)	High-level data	31			31			ns
	Low-level data	31			31			
Input setup time, $t_{SU}$ (see Note 3)	High-level data	61			61			ns
	Low-level data	61			61			
Count enable time, $t_{EN}$ (see Note 4)		12			12			ns
Operating free-air temperature, $T_A$		-55		125	0		70	°C

NOTES: 3. Setup and hold times are with respect to the falling edge of the load input.

4. Minimum count enable time is the interval immediately preceding the negative-going edge of the clock pulse during which interval the count/load and clear inputs must both be high to ensure counting.



POST OFFICE BOX 655012 • DALLAS, TEXAS 75265

# SN54S196, SN54S197, SN74S196, SN74S197

## 100-MHz PRESETTABLE DECADE OR BINARY COUNTERS/LATCHES

electrical characteristics over recommended operating free-air temperature range (unless otherwise noted)

PARAMETER	TEST CONDITIONS †	SN54S196, SN74S196			SN54S197, SN74S197			UNIT
		MIN	TYP ‡	MAX	MIN	TYP ‡	MAX	
V <sub>IH</sub>		2			2			V
V <sub>IL</sub>		0.8			0.8			V
V <sub>IK</sub>	V <sub>CC</sub> = MIN, I <sub>I</sub> = -18 mA	-1.2			-1.2			V
V <sub>OH</sub>	V <sub>CC</sub> = MIN, V <sub>IH</sub> = 2 V, V <sub>IL</sub> = 0.8 V, I <sub>OH</sub> = -1 mA	54S	2.5	3.4	2.5	3.4	V	
		74S	2.7	3.4	2.7	3.4		
V <sub>OL</sub>	V <sub>CC</sub> = MIN, V <sub>IH</sub> = 2 V, V <sub>IL</sub> = 0.8 V, I <sub>OL</sub> = 20 mA ††	0.5			0.5			V
I <sub>I</sub>	V <sub>CC</sub> = MAX, V <sub>I</sub> = 5.5 V	1			1			mA
I <sub>IH</sub>	Clock 1, clock 2	150			150			µA
	All other inputs	50			50			
I <sub>IL</sub>	Data, Load Clear	-0.75			-0.75			mA
	Clock 1	-8			-8			
	Clock 2	-10			-6			
I <sub>OS</sub> §	V <sub>CC</sub> = MAX	-30	-110	-30	-110		mA	
I <sub>CC</sub>	V <sub>CC</sub> = MAX, See Note 5	54S	75	110	75	110	mA	
		74S	75	120	75	120		

† For conditions shown as MIN or MAX, use the appropriate value specified under recommended operating conditions.

‡ All typical values are at V<sub>CC</sub> = 5 V, T<sub>A</sub> = 25°C.

†† Q<sub>A</sub> outputs are tested at I<sub>OL</sub> = 20 mA plus the limit value of I<sub>IL</sub> for the clock-2 input. This permits driving the clock-2 input while fanning out to 10 Series 54S/74S loads.

§ Not more than one output should be shorted at a time, and duration of the short-circuit should not exceed one second.

NOTE 5: I<sub>CC</sub> is measured with all input grounded and all outputs open.

switching characteristics, V<sub>CC</sub> = 5 V, T<sub>A</sub> = 25°C

PARAMETER #	(FROM INPUT)	TO (OUTPUT)	TEST CONDITIONS	SN54S196, SN74S196			SN54S197, SN74S197			UNIT
				MIN	TYP	MAX	MIN	TYP	MAX	
f <sub>max</sub>	Clock 1	Q <sub>A</sub>	R <sub>L</sub> = 280 Ω, C <sub>L</sub> = 15 pF, See Note 7	100	140		100	140		MHz
t <sub>PLH</sub>	Clock 1	Q <sub>A</sub>		5	10		5	10		ns
t <sub>PHL</sub>				6	10		6	10		
t <sub>PLH</sub>	Clock 2	Q <sub>B</sub>		5	10		5	10		ns
t <sub>PHL</sub>				8	12		8	12		
t <sub>PLH</sub>	Clock 2	Q <sub>C</sub>		12	18		12	18		ns
t <sub>PHL</sub>				16	24		15	22		
t <sub>PLH</sub>	Clock 2	Q <sub>D</sub>		5	10		18	27		ns
t <sub>PHL</sub>				8	12		22	33		
t <sub>PLH</sub>	A,B,C,D	Q <sub>A</sub> ,Q <sub>B</sub> ,Q <sub>C</sub> ,Q <sub>D</sub>		7	12		7	12		ns
t <sub>PHL</sub>				12	18		12	18		
t <sub>PLH</sub>	Load	Any		10	18		10	18		ns
t <sub>PHL</sub>				12	18		12	18		
t <sub>PHL</sub>	Clear	Any		26	37		26	37		ns

#f<sub>max</sub> = maximum count frequency.

t<sub>PLH</sub> = propagation delay time, low-to-high-level output.

t<sub>PHL</sub> = propagation delay time, high-to-low-level output.

NOTE 7: Load circuit, input conditions, and voltage waveforms are the same as those shown in Section 1.

TEXAS  
INSTRUMENTS

POST OFFICE BOX 655012 • DALLAS, TEXAS 75265



**PACKAGING INFORMATION**

Orderable Device	Status (1)	Package Type	Package Drawing	Pins	Package Qty	Eco Plan (2)	Lead/Ball Finish (6)	MSL Peak Temp (3)	Op Temp (°C)	Device Marking (4/5)	Samples
SN54196J	ACTIVE	CDIP	J	14	1	TBD	A42	N / A for Pkg Type	-55 to 125	SN54196J	<a href="#">Samples</a>
SN54197J	ACTIVE	CDIP	J	14	1	TBD	A42	N / A for Pkg Type	-55 to 125	SN54197J	<a href="#">Samples</a>
SNJ54196J	ACTIVE	CDIP	J	14	1	TBD	A42	N / A for Pkg Type	-55 to 125	SNJ54196J	<a href="#">Samples</a>
SNJ54197J	ACTIVE	CDIP	J	14	1	TBD	A42	N / A for Pkg Type	-55 to 125	SNJ54197J	<a href="#">Samples</a>

(1) The marketing status values are defined as follows:

**ACTIVE:** Product device recommended for new designs.

**LIFEBUY:** TI has announced that the device will be discontinued, and a lifetime-buy period is in effect.

**NRND:** Not recommended for new designs. Device is in production to support existing customers, but TI does not recommend using this part in a new design.

**PREVIEW:** Device has been announced but is not in production. Samples may or may not be available.

**OBSELETE:** TI has discontinued the production of the device.

(2) Eco Plan - The planned eco-friendly classification: Pb-Free (RoHS), Pb-Free (RoHS Exempt), or Green (RoHS & no Sb/Br) - please check <http://www.ti.com/productcontent> for the latest availability information and additional product content details.

**TBD:** The Pb-Free/Green conversion plan has not been defined.

**Pb-Free (RoHS):** TI's terms "Lead-Free" or "Pb-Free" mean semiconductor products that are compatible with the current RoHS requirements for all 6 substances, including the requirement that lead not exceed 0.1% by weight in homogeneous materials. Where designed to be soldered at high temperatures, TI Pb-Free products are suitable for use in specified lead-free processes.

**Pb-Free (RoHS Exempt):** This component has a RoHS exemption for either 1) lead-based flip-chip solder bumps used between the die and package, or 2) lead-based die adhesive used between the die and leadframe. The component is otherwise considered Pb-Free (RoHS compatible) as defined above.

**Green (RoHS & no Sb/Br):** TI defines "Green" to mean Pb-Free (RoHS compatible), and free of Bromine (Br) and Antimony (Sb) based flame retardants (Br or Sb do not exceed 0.1% by weight in homogeneous material)

(3) MSL, Peak Temp. - The Moisture Sensitivity Level rating according to the JEDEC industry standard classifications, and peak solder temperature.

(4) There may be additional marking, which relates to the logo, the lot trace code information, or the environmental category on the device.

(5) Multiple Device Markings will be inside parentheses. Only one Device Marking contained in parentheses and separated by a "~" will appear on a device. If a line is indented then it is a continuation of the previous line and the two combined represent the entire Device Marking for that device.

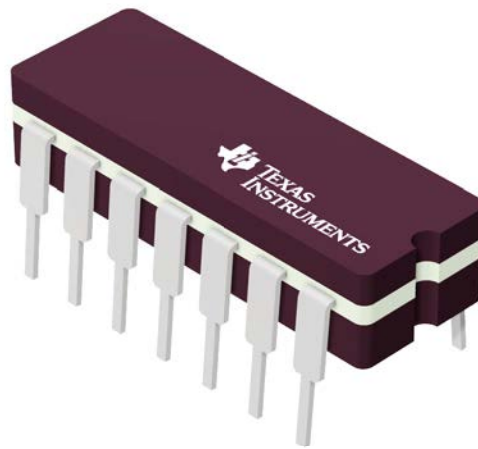
(6) Lead/Ball Finish - Orderable Devices may have multiple material finish options. Finish options are separated by a vertical ruled line. Lead/Ball Finish values may wrap to two lines if the finish value exceeds the maximum column width.

**Important Information and Disclaimer:** The information provided on this page represents TI's knowledge and belief as of the date that it is provided. TI bases its knowledge and belief on information provided by third parties, and makes no representation or warranty as to the accuracy of such information. Efforts are underway to better integrate information from third parties. TI has taken and continues to take reasonable steps to provide representative and accurate information but may not have conducted destructive testing or chemical analysis on incoming materials and chemicals. TI and TI suppliers consider certain information to be proprietary, and thus CAS numbers and other limited information may not be available for release.

In no event shall TI's liability arising out of such information exceed the total purchase price of the TI part(s) at issue in this document sold by TI to Customer on an annual basis.

J 14

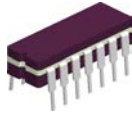
**GENERIC PACKAGE VIEW**  
**CDIP - 5.08 mm max height**  
CERAMIC DUAL IN LINE PACKAGE



Images above are just a representation of the package family, actual package may vary.  
Refer to the product data sheet for package details.

4040083-5/G

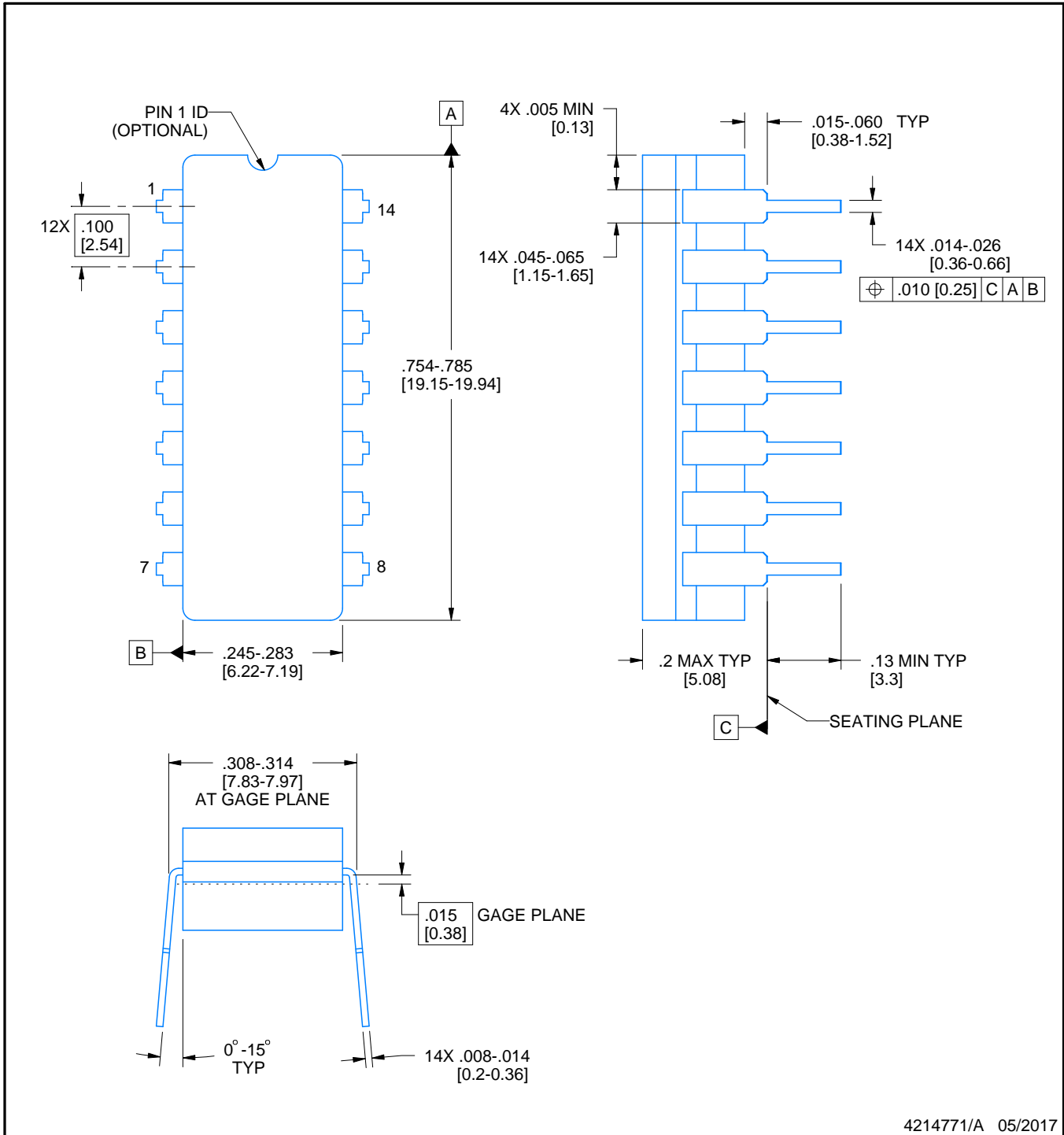
# J0014A



## PACKAGE OUTLINE

CDIP - 5.08 mm max height

CERAMIC DUAL IN LINE PACKAGE



4214771/A 05/2017

### NOTES:

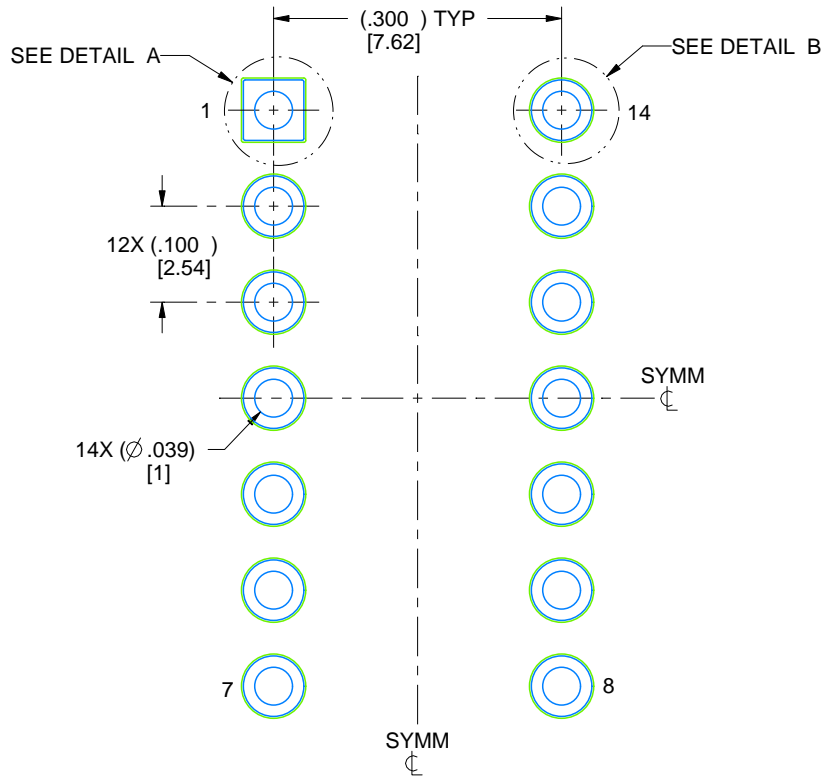
1. All controlling linear dimensions are in inches. Dimensions in brackets are in millimeters. Any dimension in brackets or parenthesis are for reference only. Dimensioning and tolerancing per ASME Y14.5M.
2. This drawing is subject to change without notice.
3. This package is hermetically sealed with a ceramic lid using glass frit.
4. Index point is provided on cap for terminal identification only and on press ceramic glass frit seal only.
5. Falls within MIL-STD-1835 and GDIP1-T14.

# EXAMPLE BOARD LAYOUT

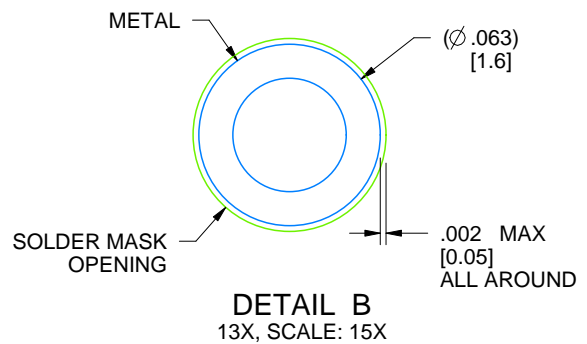
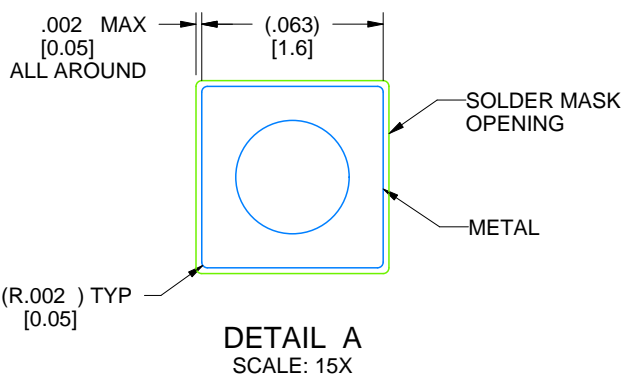
J0014A

CDIP - 5.08 mm max height

CERAMIC DUAL IN LINE PACKAGE



LAND PATTERN EXAMPLE  
NON-SOLDER MASK DEFINED  
SCALE: 5X



4214771/A 05/2017

## IMPORTANT NOTICE

Texas Instruments Incorporated (TI) reserves the right to make corrections, enhancements, improvements and other changes to its semiconductor products and services per JESD46, latest issue, and to discontinue any product or service per JESD48, latest issue. Buyers should obtain the latest relevant information before placing orders and should verify that such information is current and complete.

TI's published terms of sale for semiconductor products (<http://www.ti.com/sc/docs/stdterms.htm>) apply to the sale of packaged integrated circuit products that TI has qualified and released to market. Additional terms may apply to the use or sale of other types of TI products and services.

Reproduction of significant portions of TI information in TI data sheets is permissible only if reproduction is without alteration and is accompanied by all associated warranties, conditions, limitations, and notices. TI is not responsible or liable for such reproduced documentation. Information of third parties may be subject to additional restrictions. Resale of TI products or services with statements different from or beyond the parameters stated by TI for that product or service voids all express and any implied warranties for the associated TI product or service and is an unfair and deceptive business practice. TI is not responsible or liable for any such statements.

Buyers and others who are developing systems that incorporate TI products (collectively, "Designers") understand and agree that Designers remain responsible for using their independent analysis, evaluation and judgment in designing their applications and that Designers have full and exclusive responsibility to assure the safety of Designers' applications and compliance of their applications (and of all TI products used in or for Designers' applications) with all applicable regulations, laws and other applicable requirements. Designer represents that, with respect to their applications, Designer has all the necessary expertise to create and implement safeguards that (1) anticipate dangerous consequences of failures, (2) monitor failures and their consequences, and (3) lessen the likelihood of failures that might cause harm and take appropriate actions. Designer agrees that prior to using or distributing any applications that include TI products, Designer will thoroughly test such applications and the functionality of such TI products as used in such applications.

TI's provision of technical, application or other design advice, quality characterization, reliability data or other services or information, including, but not limited to, reference designs and materials relating to evaluation modules, (collectively, "TI Resources") are intended to assist designers who are developing applications that incorporate TI products; by downloading, accessing or using TI Resources in any way, Designer (individually or, if Designer is acting on behalf of a company, Designer's company) agrees to use any particular TI Resource solely for this purpose and subject to the terms of this Notice.

TI's provision of TI Resources does not expand or otherwise alter TI's applicable published warranties or warranty disclaimers for TI products, and no additional obligations or liabilities arise from TI providing such TI Resources. TI reserves the right to make corrections, enhancements, improvements and other changes to its TI Resources. TI has not conducted any testing other than that specifically described in the published documentation for a particular TI Resource.

Designer is authorized to use, copy and modify any individual TI Resource only in connection with the development of applications that include the TI product(s) identified in such TI Resource. NO OTHER LICENSE, EXPRESS OR IMPLIED, BY ESTOPPEL OR OTHERWISE TO ANY OTHER TI INTELLECTUAL PROPERTY RIGHT, AND NO LICENSE TO ANY TECHNOLOGY OR INTELLECTUAL PROPERTY RIGHT OF TI OR ANY THIRD PARTY IS GRANTED HEREIN, including but not limited to any patent right, copyright, mask work right, or other intellectual property right relating to any combination, machine, or process in which TI products or services are used. Information regarding or referencing third-party products or services does not constitute a license to use such products or services, or a warranty or endorsement thereof. Use of TI Resources may require a license from a third party under the patents or other intellectual property of the third party, or a license from TI under the patents or other intellectual property of TI.

TI RESOURCES ARE PROVIDED "AS IS" AND WITH ALL FAULTS. TI DISCLAIMS ALL OTHER WARRANTIES OR REPRESENTATIONS, EXPRESS OR IMPLIED, REGARDING RESOURCES OR USE THEREOF, INCLUDING BUT NOT LIMITED TO ACCURACY OR COMPLETENESS, TITLE, ANY EPIDEMIC FAILURE WARRANTY AND ANY IMPLIED WARRANTIES OF MERCHANTABILITY, FITNESS FOR A PARTICULAR PURPOSE, AND NON-INFRINGEMENT OF ANY THIRD PARTY INTELLECTUAL PROPERTY RIGHTS. TI SHALL NOT BE LIABLE FOR AND SHALL NOT DEFEND OR INDEMNIFY DESIGNER AGAINST ANY CLAIM, INCLUDING BUT NOT LIMITED TO ANY INFRINGEMENT CLAIM THAT RELATES TO OR IS BASED ON ANY COMBINATION OF PRODUCTS EVEN IF DESCRIBED IN TI RESOURCES OR OTHERWISE. IN NO EVENT SHALL TI BE LIABLE FOR ANY ACTUAL, DIRECT, SPECIAL, COLLATERAL, INDIRECT, PUNITIVE, INCIDENTAL, CONSEQUENTIAL OR EXEMPLARY DAMAGES IN CONNECTION WITH OR ARISING OUT OF TI RESOURCES OR USE THEREOF, AND REGARDLESS OF WHETHER TI HAS BEEN ADVISED OF THE POSSIBILITY OF SUCH DAMAGES.

Unless TI has explicitly designated an individual product as meeting the requirements of a particular industry standard (e.g., ISO/TS 16949 and ISO 26262), TI is not responsible for any failure to meet such industry standard requirements.

Where TI specifically promotes products as facilitating functional safety or as compliant with industry functional safety standards, such products are intended to help enable customers to design and create their own applications that meet applicable functional safety standards and requirements. Using products in an application does not by itself establish any safety features in the application. Designers must ensure compliance with safety-related requirements and standards applicable to their applications. Designer may not use any TI products in life-critical medical equipment unless authorized officers of the parties have executed a special contract specifically governing such use. Life-critical medical equipment is medical equipment where failure of such equipment would cause serious bodily injury or death (e.g., life support, pacemakers, defibrillators, heart pumps, neurostimulators, and implantables). Such equipment includes, without limitation, all medical devices identified by the U.S. Food and Drug Administration as Class III devices and equivalent classifications outside the U.S.

TI may expressly designate certain products as completing a particular qualification (e.g., Q100, Military Grade, or Enhanced Product). Designers agree that it has the necessary expertise to select the product with the appropriate qualification designation for their applications and that proper product selection is at Designers' own risk. Designers are solely responsible for compliance with all legal and regulatory requirements in connection with such selection.

Designer will fully indemnify TI and its representatives against any damages, costs, losses, and/or liabilities arising out of Designer's non-compliance with the terms and provisions of this Notice.