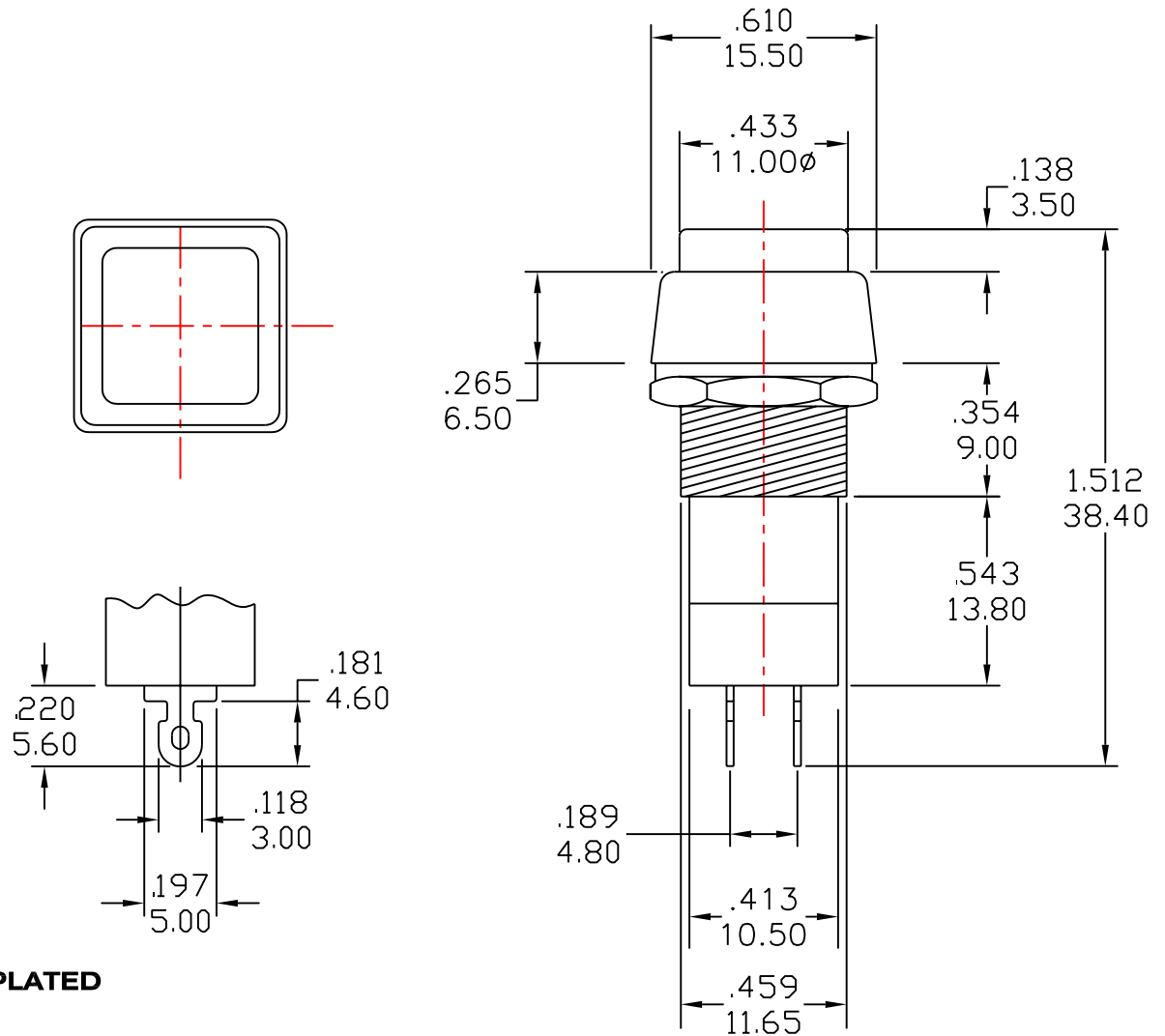


R18-23 DIMENSIONS

RATING : 1A 250VAC/ 3A 125VAC
DIELECTRIC STRENGTH : 1000 VAC 1 minute
CONTACT RESISTANCE : 30mΩ (max)
INSULATION RESISTANCE :
 100 MΩ min (at 500 VDC)
ELECTRICAL LIFE : 30,000 (min)
MECHANICAL LIFE : 50,000 (min)
PUSH FORCE : >0.3kg

MATERIAL :
BUTTON : ABS
CASE : PHENOLIC
TERMINAL : COPPER, ALLOY (SILVER or GOLD) PLATED
CONTACT : SILVER PLATED
WASHER NUT : STEEL, NICKEL PLATED
SPRING : STAINLESS STEEL WIRE



Model No.	TYPE	nominal tolerance		part no. R18-23	SH 興瀚企業股份有限公司 Salecom. Electronics Co.,Ltd	material	check
		range	tolerance				
R18-23A	OFF-ON	0-1	±0.10	dwg no. SWR18-23-002	part name. R18 Pushbutton Switches	scale 2:1 unit m/m (inch)	 drawer Jessica
R18-23B	OFF-(ON)	1-4	±0.20				
R18-23C	ON-(OFF)	4-16	±0.30				
						rev. 2	date 2005/03/21