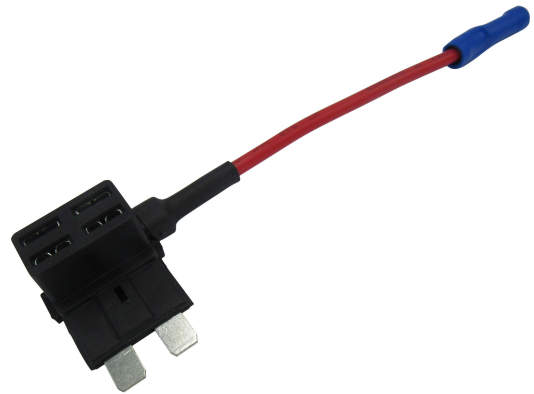


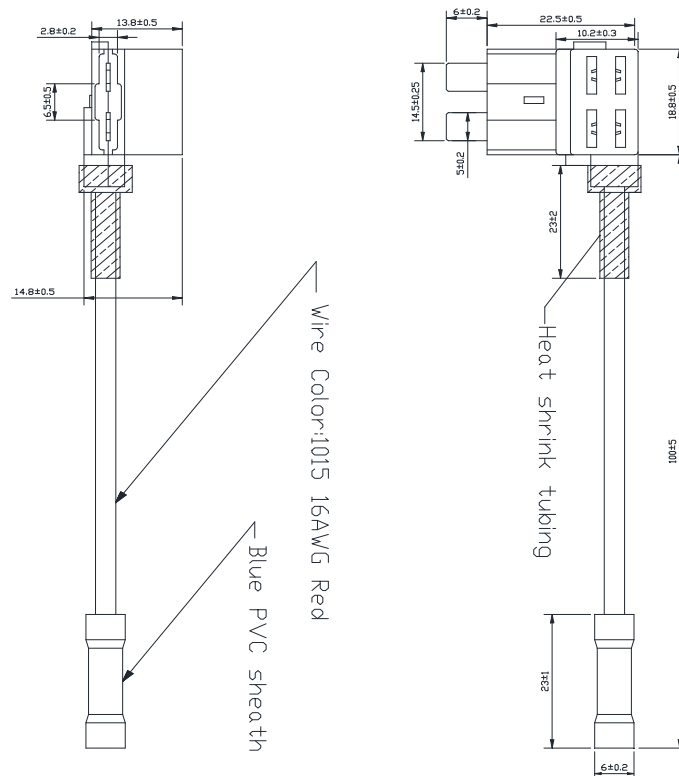
# Automotive Fuse Holder



## Specification

Shell Material	Nylon
Terminal Material	Nickel Plated Brass
Rated Current	24 A
Rated Voltage	32 V
Fuse Insertion Force	13 kg
Fuse Pullout Force	12 kg
Wire Type	UL1015 16 AWG Red
Case Material	PVC

Nozzles (cold pressed terminals) or bullet terminals (connector terminals can be customized according to customer requirements) in blue insulation



Art. Nr.  
RND 170-00235