

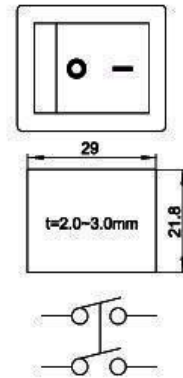
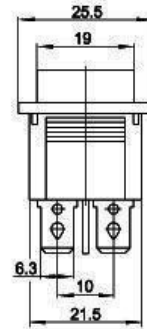
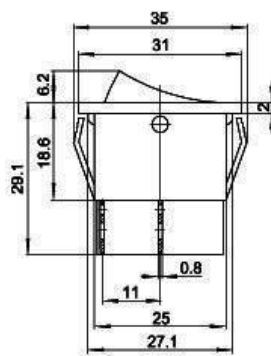


ROCKER SWITCH

Part No.

KCD4-201

KCD4-201



Parameter

Types:	ON-OFF;ON-ON;ON-OFF-ON
Actuator:	Polycarbonate
Base:	Nylon (PA) 66
Contacts:	Silver plated Copper/Silver Alloy
Life:	≥10000times
Terminals:	Tin-Plated Copper
Movable Arm:	Tin-Plated Copper
Dielectric Strength:	1500V for 1 Min
Insulation Resistance:	≥100MΩ

Characteristic

Rated Voltage:	15A 250VAC
Rated Current:	30A 250VAC
Insulated Resistance:	≥100MΩ
Contact Resistance:	≤50MΩ
Dielectric Strength:	1500VAC/5S
Endurance:	≥10000 Cyckes
Ambient Temp:	T85
Contact Resistance:	≤30mΩ
Temperature Range:	-30~85°C

Model Description

e.g
KCD 4 - 2 01 (E) (N) -2 C7- R / R
 ① ② ③ ④ ⑤ ⑥ ⑦ ⑧ ⑨ ⑩

- ① Rocker Switch
- ② Small Type
- ③ Poles
- ④ Circuit Function
- ⑤ Dot
- ⑥ Neon Lamp
- ⑦ Product Number
- ⑧ Cap Marking
- ⑨ Cap Color
- ⑩ Base Color

Circuitry Trait

- 01 ON - OFF
- 02 ON - OFF
- 11 <ON> OFF
- 12 ON - <ON>
- 03 ON OFF ON
- 13 ON OFF <ON>
- 23 <ON> OFF <ON>

< > : Indicates Momentary

Cap Color

- Black
- White <W>
- Red <R>
- Yellow <Y>
- Green <G>
- Orange <O>
- Gray <GR>

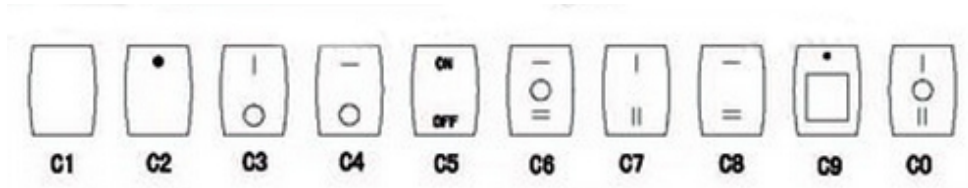
Base Color

- Black
- White <W>
- Gray <GR>

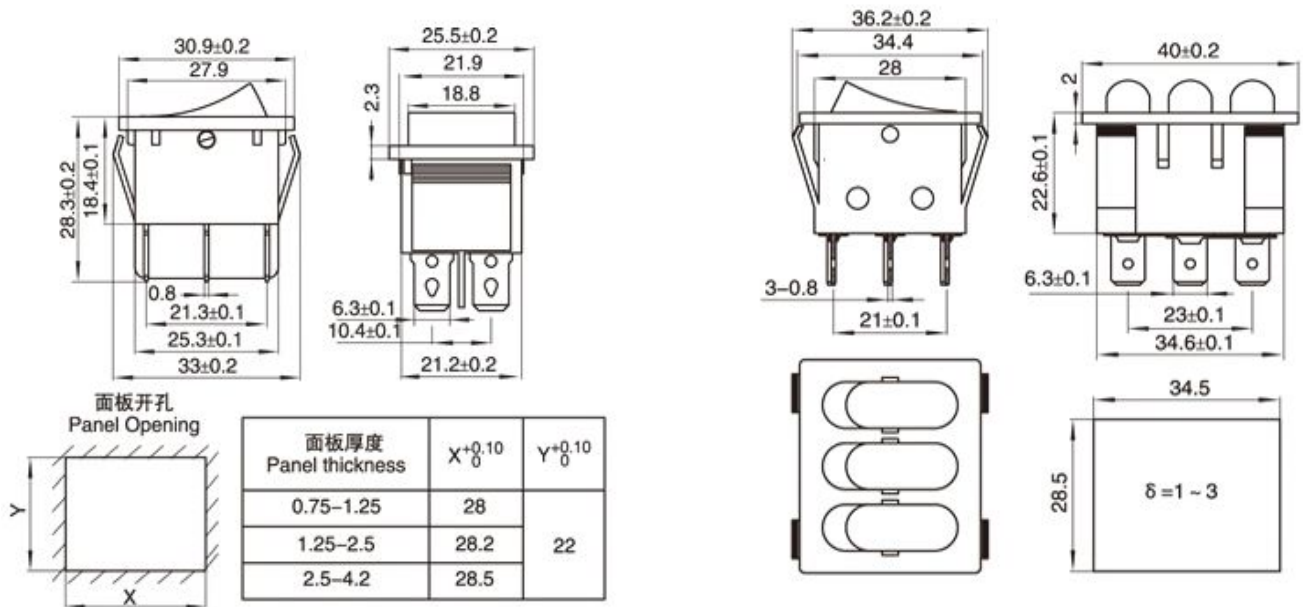
Ratings for different series:

- KCD1 10A 125VAC; 6A 250VAC
- KCD2 20A 125VAC; 15A 250VAC; 35A 12VDC
- KCD3 20A 125VAC; 15A 250VAC; 35A 13VDC
- KCD4 15A 250VAC; 30A 250VAC
- KCD5 6A 125VAC ; 3A 250VAC

Cap Marking



DIMENSIONS (Unit: mm)



Circuit Diagram

系列号 Series No	电路图 Circuit diagram	端子规格 Terminal	开关标记 Making	颜色代码 Color code	按钮类型 Actuator																																																								
KCD4-101/4P	ON-OFF 	<p>6.3 × 0.8</p>	<table border="1"> <tr> <td>1</td> <td>空白 No Making</td> <td>9</td> <td>关 开</td> </tr> <tr> <td>2</td> <td>○ —</td> <td>10</td> <td>前进 后退</td> </tr> <tr> <td>3</td> <td> ○ </td> <td>11</td> <td>开启 关闭</td> </tr> <tr> <td>4</td> <td>●</td> <td>12</td> <td>快速 慢速</td> </tr> <tr> <td>5</td> <td> </td> <td>13</td> <td>○ </td> </tr> <tr> <td>6</td> <td>手动 自动</td> <td>14</td> <td>○ </td> </tr> <tr> <td>7</td> <td>OFF ON</td> <td>15</td> <td>● ☼</td> </tr> <tr> <td>8</td> <td>◁ ○ ▷</td> <td>16</td> <td>└ ● ▮</td> </tr> <tr> <td></td> <td></td> <td>17</td> <td>客人要求</td> </tr> </table>	1	空白 No Making	9	关 开	2	○ —	10	前进 后退	3	○	11	开启 关闭	4	●	12	快速 慢速	5		13	○	6	手动 自动	14	○	7	OFF ON	15	● ☼	8	◁ ○ ▷	16	└ ● ▮			17	客人要求	<table border="1"> <tr> <td>K</td> <td></td> </tr> <tr> <td>W</td> <td></td> </tr> <tr> <td>Y</td> <td></td> </tr> <tr> <td>R</td> <td></td> </tr> <tr> <td>G</td> <td></td> </tr> <tr> <td>O</td> <td></td> </tr> <tr> <td>B</td> <td></td> </tr> </table>	K		W		Y		R		G		O		B		<table border="1"> <tr> <td></td> <td>V形</td> </tr> <tr> <td></td> <td>C形</td> </tr> <tr> <td></td> <td>B形</td> </tr> </table>		V形		C形		B形
1	空白 No Making			9	关 开																																																								
2	○ —			10	前进 后退																																																								
3	○			11	开启 关闭																																																								
4	●			12	快速 慢速																																																								
5				13	○																																																								
6	手动 自动			14	○																																																								
7	OFF ON			15	● ☼																																																								
8	◁ ○ ▷	16	└ ● ▮																																																										
		17	客人要求																																																										
K																																																													
W																																																													
Y																																																													
R																																																													
G																																																													
O																																																													
B																																																													
	V形																																																												
	C形																																																												
	B形																																																												
KCD4-101/4PV	(ON)-OFF 																																																												
KCD4-101/4PN	ON-OFF 																																																												
KCD4-101/6P	ON-ON 																																																												
KCD4-101/6PN	ON-ON 																																																												
KCD4-101/6PD	ON-OFF-ON 																																																												
KCD4-101/DW	(ON)-OFF-(ON) 																																																												