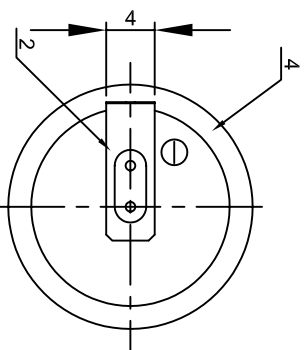
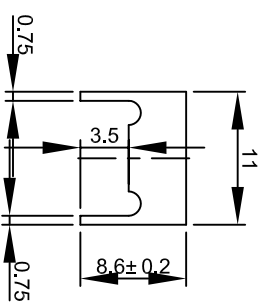
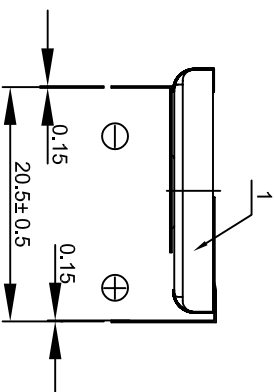
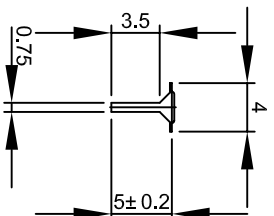
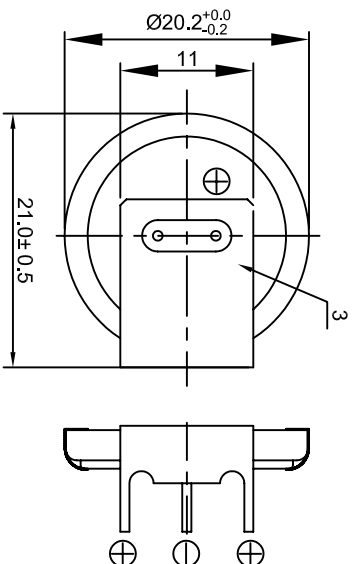


D310017



Doc		Page	1 / 1	Q-LITE INDUSTRIAL LIMITED	View	No	Name	Specifications
Dw	FZ.Liang	App		DRAWING NO.: D310017	Unit	4	PVC	Yellow
Rev	A.0	Date	2010.03.03	CUSTOMER:	Pack	3	Li-E(+)	23x11x0.15 (Nickel-plated)
						1	Cell	19x4x0.15 (Nickel-plated)
	Check							
	Scale							