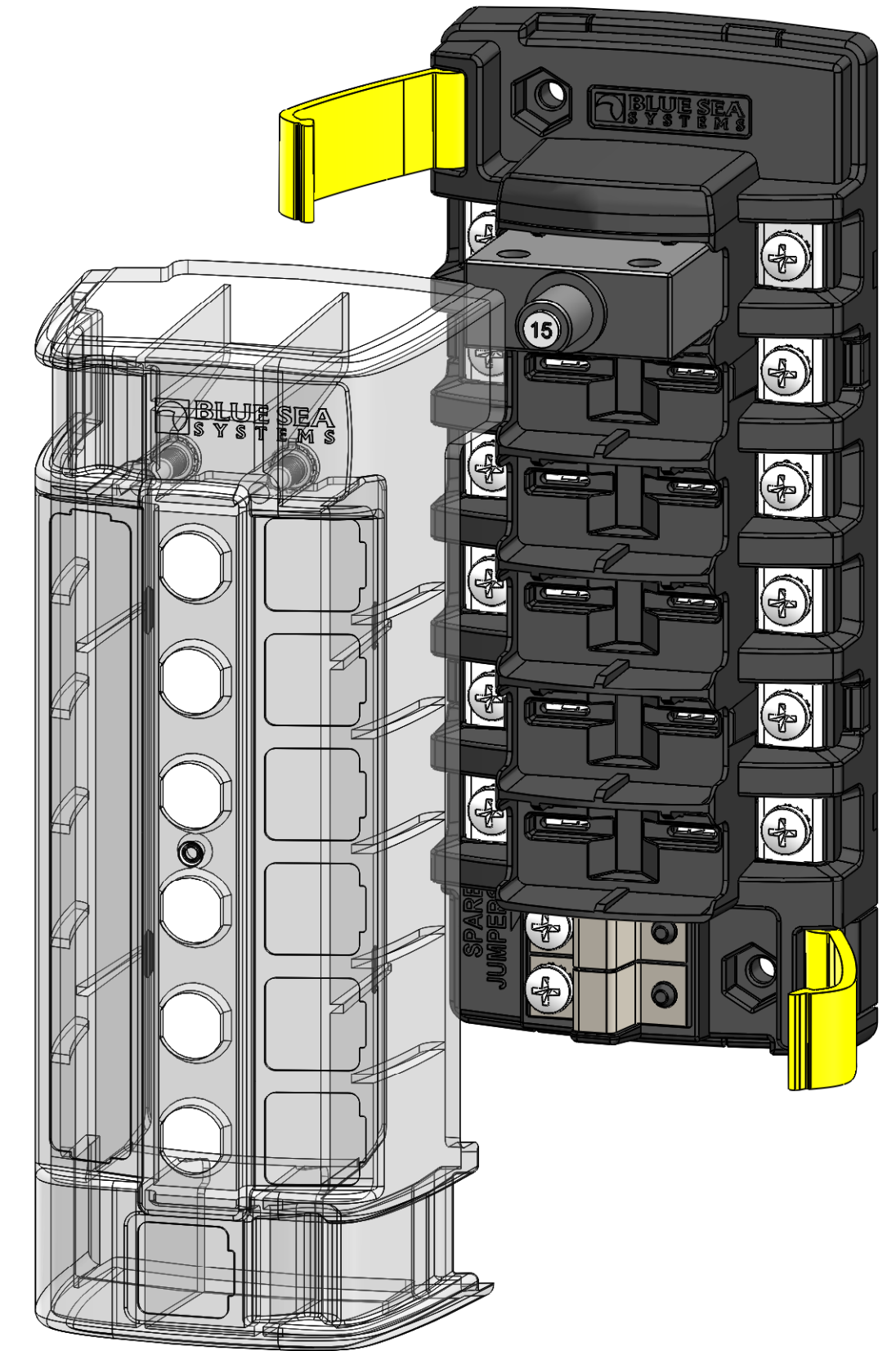
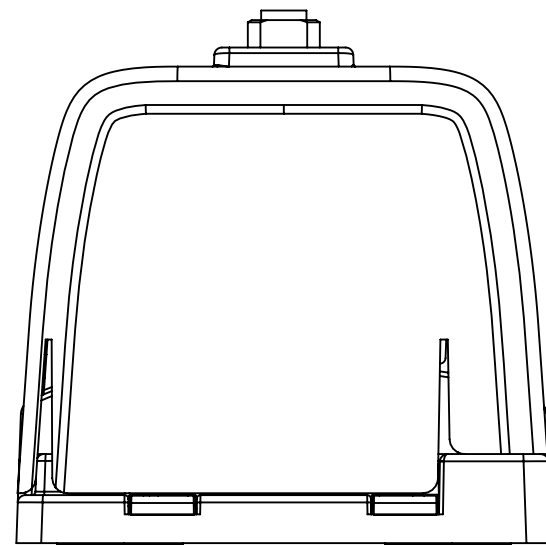
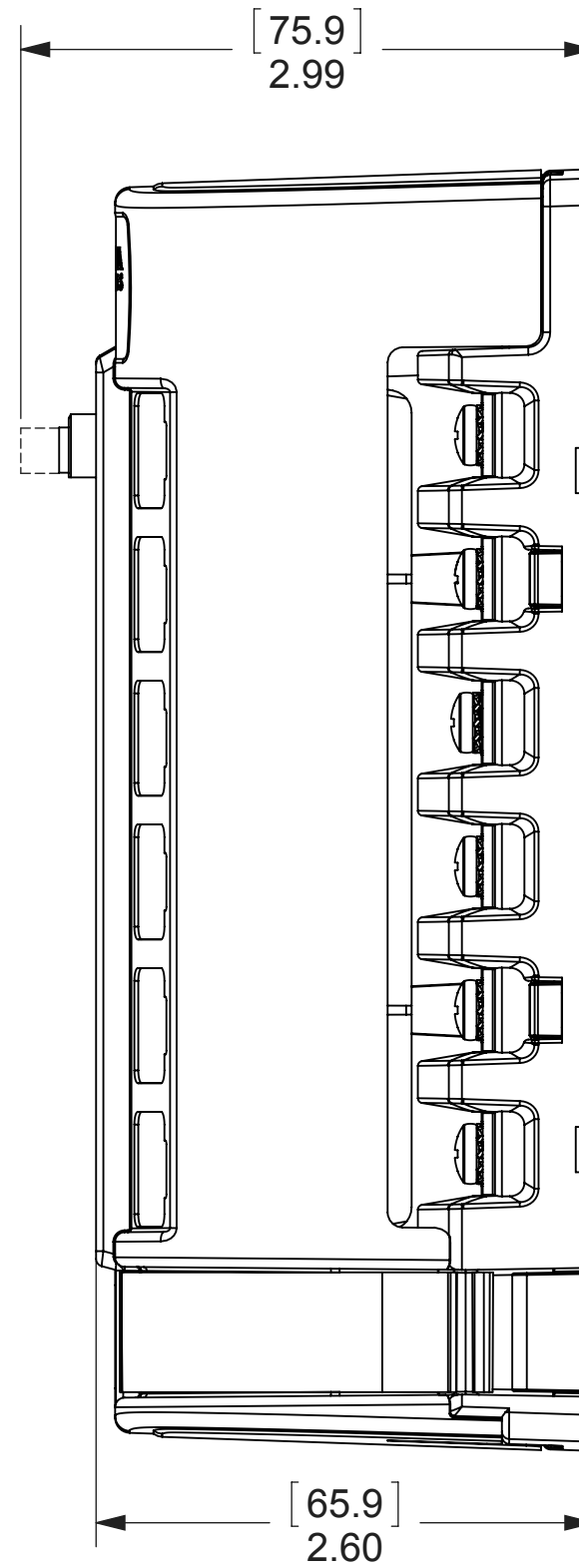
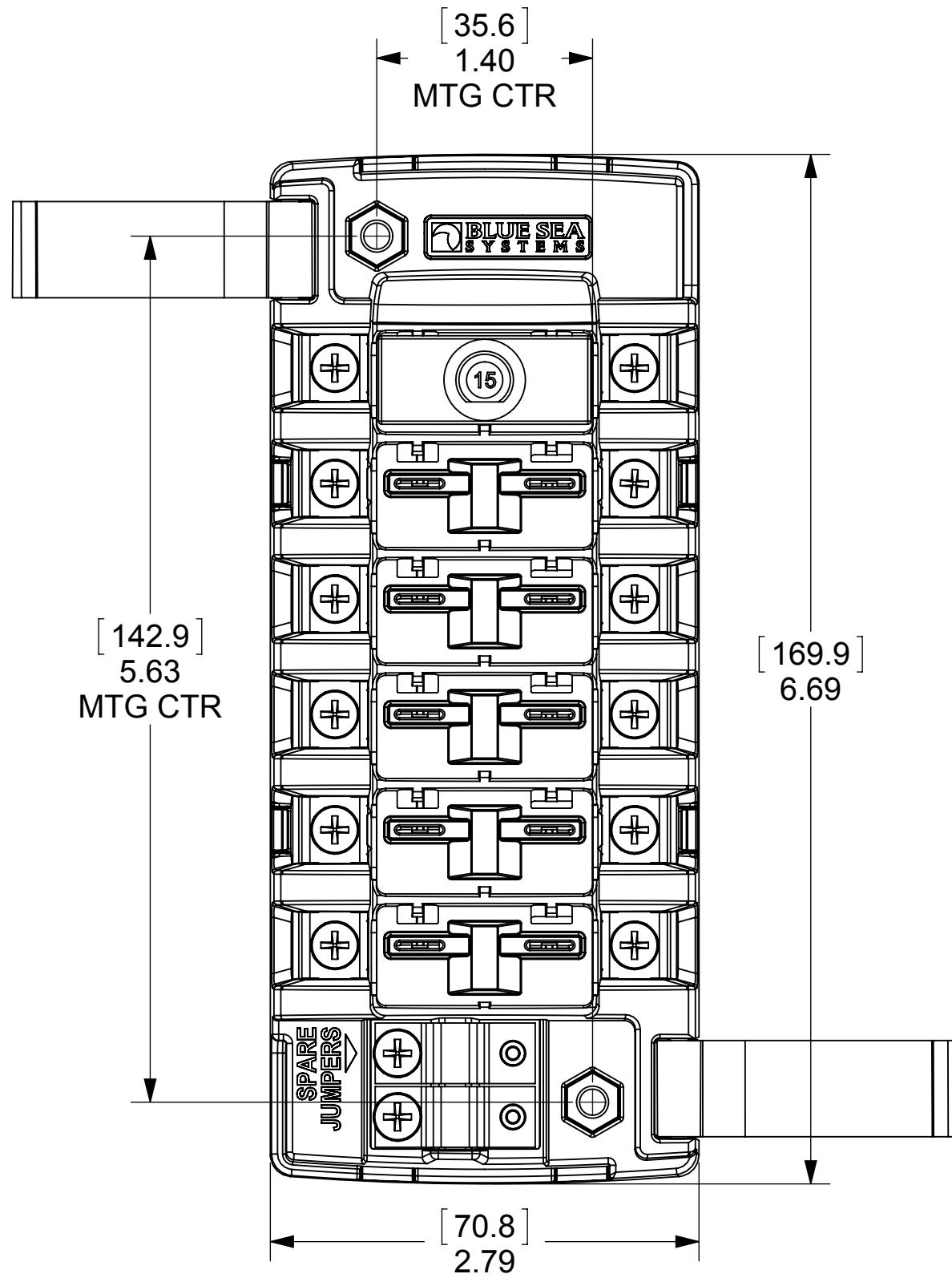


THIS DRAWING AND THE INFORMATION CONTAINED WITHIN IT ARE CONFIDENTIAL AND MAY NOT BE COPIED OR DISCLOSED WITHOUT THE WRITTEN PERMISSION OF BLUE SEA SYSTEMS.

REVISIONS				
ZONE	REV.	DESCRIPTION	DATE	APPROVED
	1	INITIAL RELEASE	2014.9.19	S. SCHANKEN



THIRD ANGLE PROJECTION



DIMENSIONS ARE SHOWN IN INCHES AND [MILLIMETERS]. UNSPECIFIED TOLERANCES ARE:

ANGLES	INCH	MM
±0°30'	.000±.002	.00±.051
	.00±.005	.00±.127
	.00±.010	.0±.254

MATERIAL: --
FINISH: --
DO NOT SCALE DRAWING

	NAME	DATE
DRAWN	S. SCHANKEN	2014.9.19
CHECKED	-	-
APPROVED	-	-
COMMENTS:	-	

BLUE SEA SYSTEMS
425 Sequoia Drive Bellingham, WA 98226
Phone (360)738-6230 Fax (360)734-4195

5050 ST CLB Block 6 Pos Ind Source
Part Number 5050

SIZE	DWG. NO.	REV.
C	5050	1

SCALE 1:1 WEIGHT: SHEET 1 OF 1