

DC Axial Fan

Features

- Electronically commutated DC motor
- With polarity reversal and blocking protection
- High output, quiet running
- Connecting wires 300 mm AWG 24
- Speed control
- Signal output



Specification

Rated Voltage	12 VDC
Operating Voltage	7 ... 13.2 V
Rated Speed	2600 rpm
Rated Current	400 mA
Rated Power	4.8 W
Max. Airflow	114.7 CFM, 194.9 m ³ /min
Max. Air Pressure	0.41 inch-H ₂ O, 10.4 mm-H ₂ O
Noise	41 dBA, 45 dBA max.
Wire	2 Leads - 300 mm
Insulation Resistance	10 MOhm min. @ 500 VDC
Dielectric Strength	5 mA max @ 500 VAC 60 Hz 1 min.
Service Life	70000 hours @ 40 °C

Mechanical

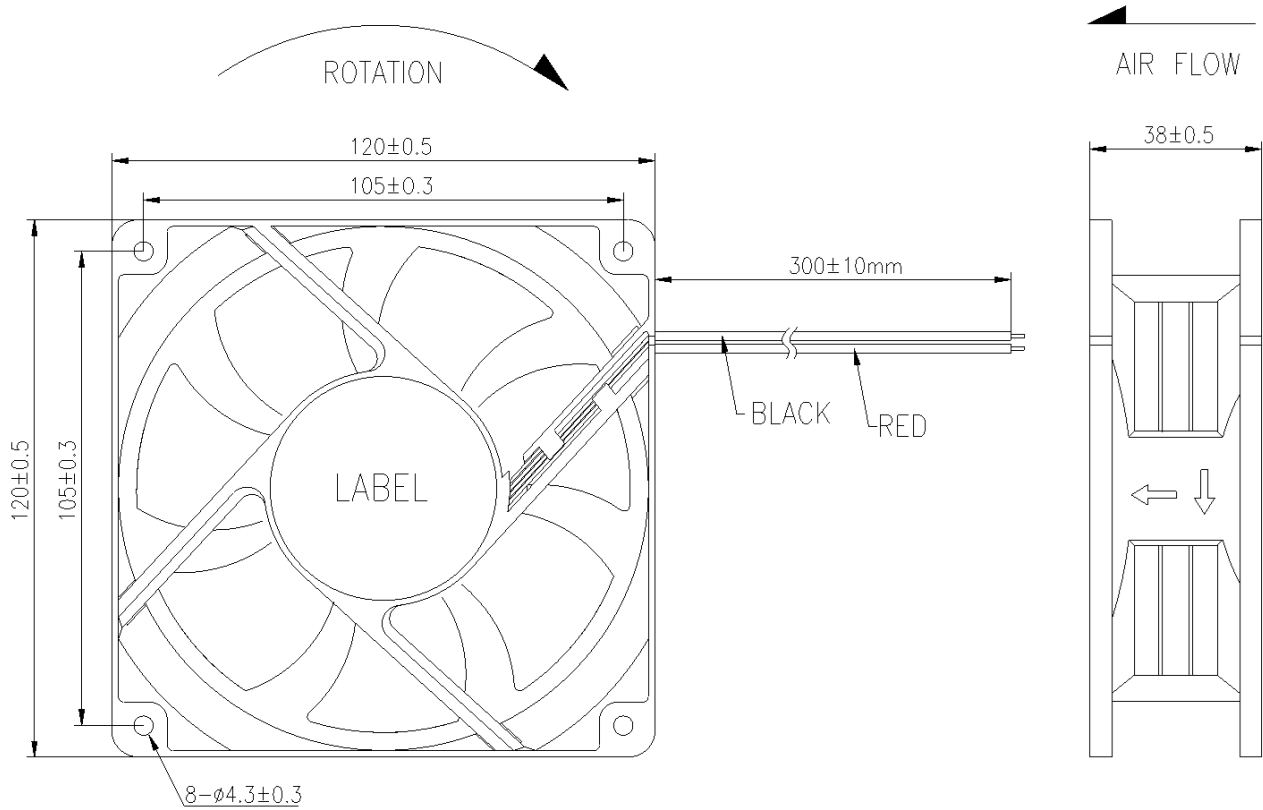
Fan Size (See Dimension Drawing in Page 2)	120 x 120 x 38 mm
Frame	Thermoplastic Black / PBT 15% gf of UL94-V0
Fan Blade	Thermoplastic Black / PBT 15% gf of UL94-V0
Bearing	Ball Bearing
Weight	260 g

Environment

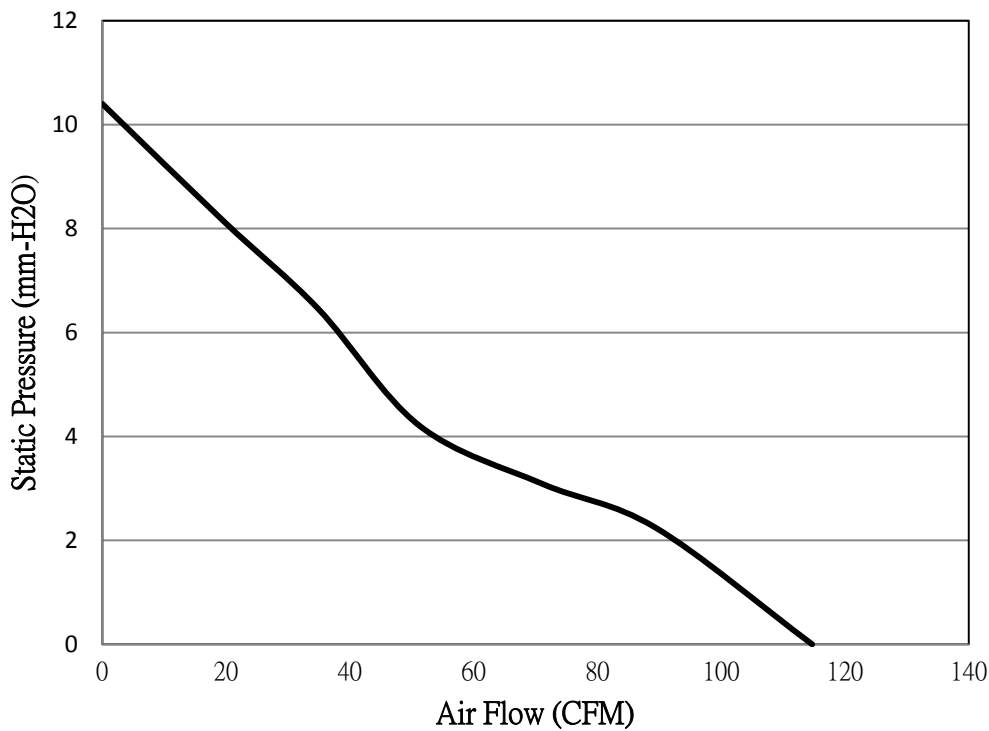
Ambient Operating Temperature	-10 ... 70 °C
Storage Temperature	-40 ... 75 °C
Operation Humidity	5 ... 90 % RH
Storage Humidity	5 ... 95 % RH

DC Axial Fan

Drawing



P-Q Curve



Art Nr.

RND 460-00084