

# Brushless AC Axial Fan

## Features

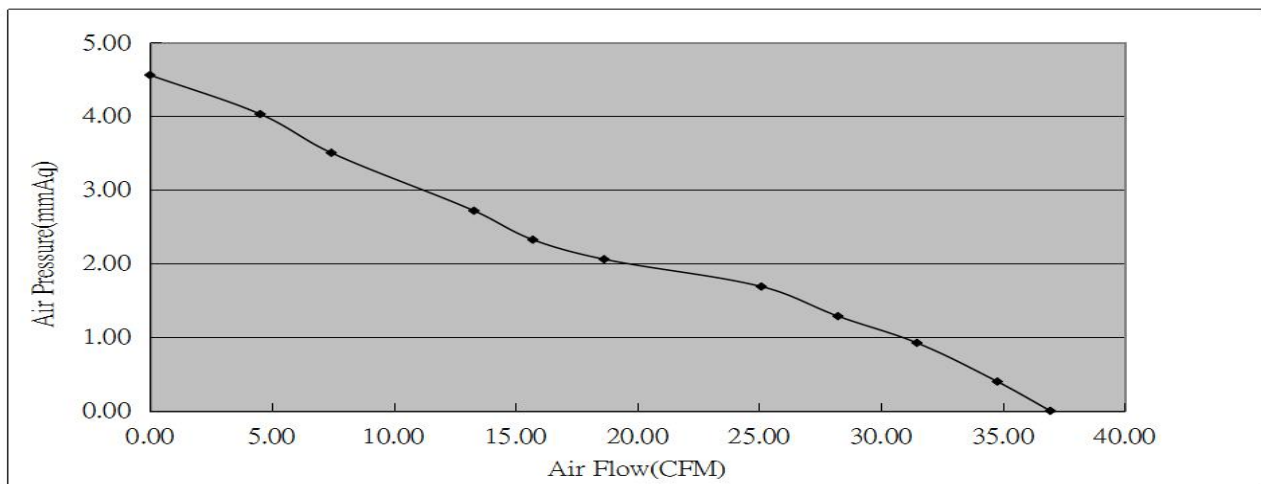
- Smooth and efficient air flow
- Impedance protected motor
- Dual ball double sealed bearing system
- Ideal for industrial applications



## Specification

Dimensions	80 x 80 x 25 mm
Fan Frame	Black, PBT (UL94-V0)
Fan Impeller	Black, PBT (UL94-V0), 7 Blades
Bearing	Dual Ball Bearing
Rated Voltage	12 VDC
Operating Voltage Range	10.8 ... 13.2 VDC
Start-Up Voltage	7 VDC
Rated Current	130 mA (max. 200)
Label Current	200 mA
Rated Power	1.56 W (max. 2.4 W)
Rated Speed	3300 ± 350 rpm
Airflow	37.15 CFM (min.33.43)
Air Pressure	4.47 mmAq (min.3.62)
Noise Level	34.3 dBA (max. 37.3)
Lead Wire	UL 1430 / 24 AWG x 200 mm
Service Life	70000 hours @ 40°C

## Performance Curve



Test Conditions: (1).Rated Voltage;(2).Room Temperature, 65% Humidity

# Brushless DC Axial Fan



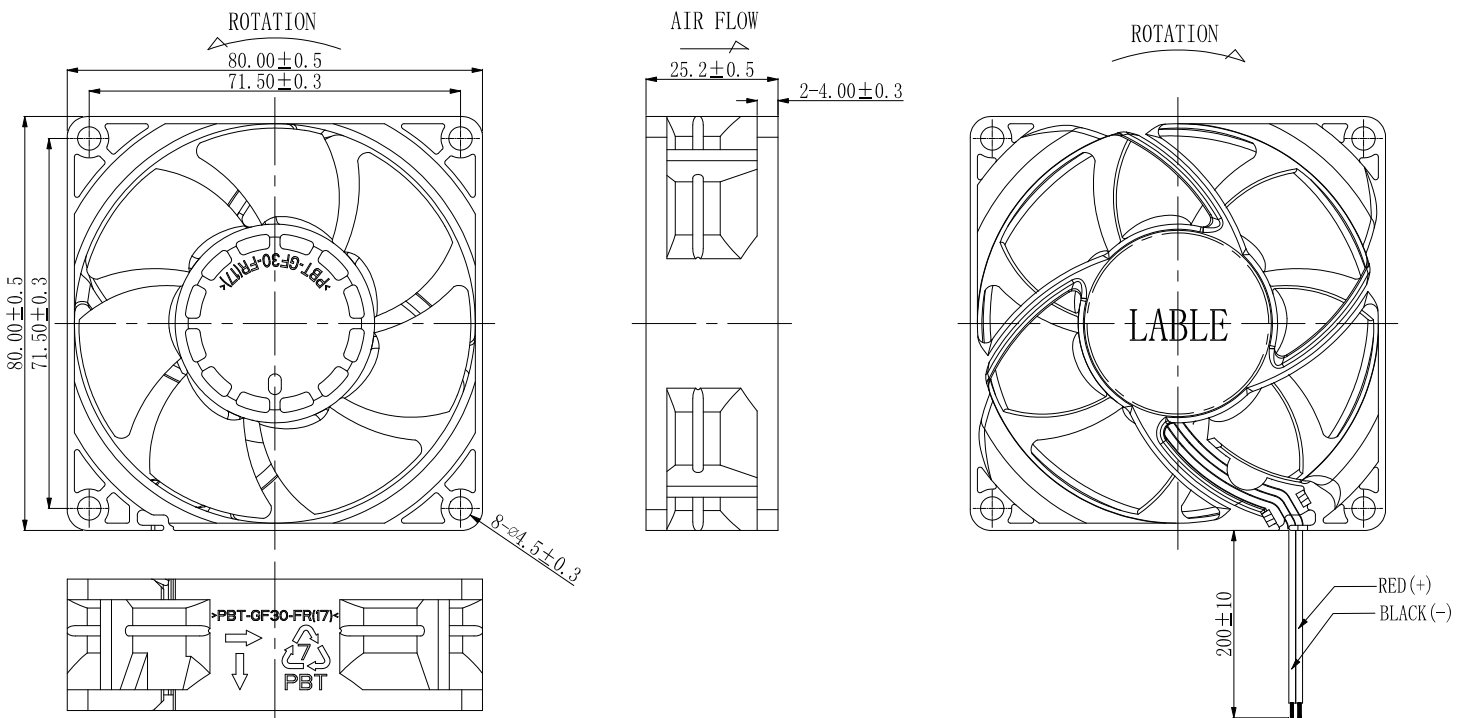
## Environmental

Operating Temperature	-10 ... 70°C
Storage Temperature	-40 ... 75°C
Operating Humidity	35 ... 85%RH
Storage Humidity	35 ... 85%RH

## Electrical Characteristics

Insulation Resistance	10 MOhm @ 500 VDC
Dielectric Strength	Max. 5 mA @ 500VAC/60Hz for 1 minute
Insulated Type	UL: Class A (105°C)

## Drawing



Art Nr.  
RND 460-00096