

Features

- Electronically commutated DC motor
- With polarity reversal and blocking protection
- High output, quiet running
- Connecting wires 300 mm AWG 28
- Speed control
- Signal output

Specification

Rated Voltage	12 VDC
Operating Voltage	7 ... 13.2 V
Rated Speed	10000 rpm
Rated Current	100 mA
Rated Power	1.2 W
Max. Airflow	1.85 CFM, 3.1 m ³ /h
Max. Air Pressure	0.17 inch-H ₂ O, 4.36 mm-H ₂ O
Noise	23.5 dBA, 27.5 dBA max.
Wire	2 Leads - 300 mm
Dielectric Strength	5 mA max @ 500 VAC 60 Hz 1 min.
Service Life	70000 hours @ 40 °C
Insulation Resistance	10 MOhm min. @ 500 VDC



Mechanical

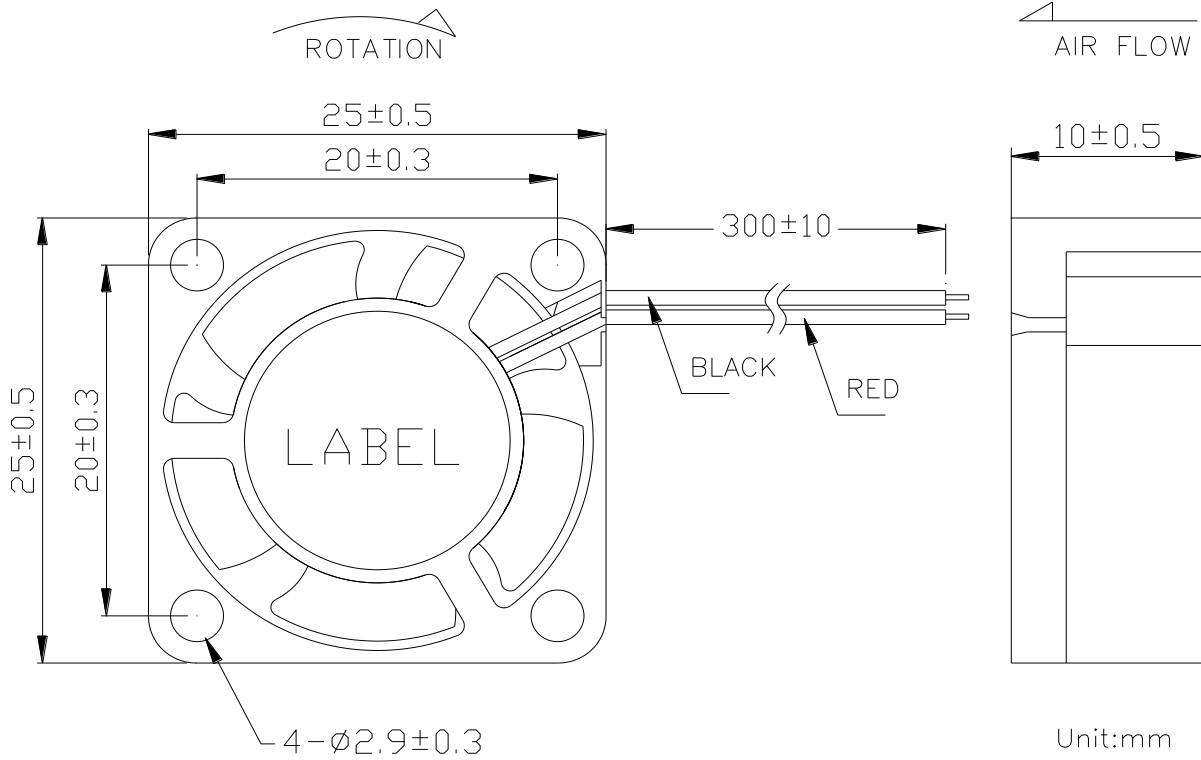
Fan Size (See Dimension Drawing in Page 2)	25 x 25 x 10 mm
Frame	Thermoplastic Black / PBT 15% gf of UL94-V0
Fan Blade	Thermoplastic Black / PBT 15% gf of UL94-V0
Bearing	Ball Bearing
Weight	7 g

Environment

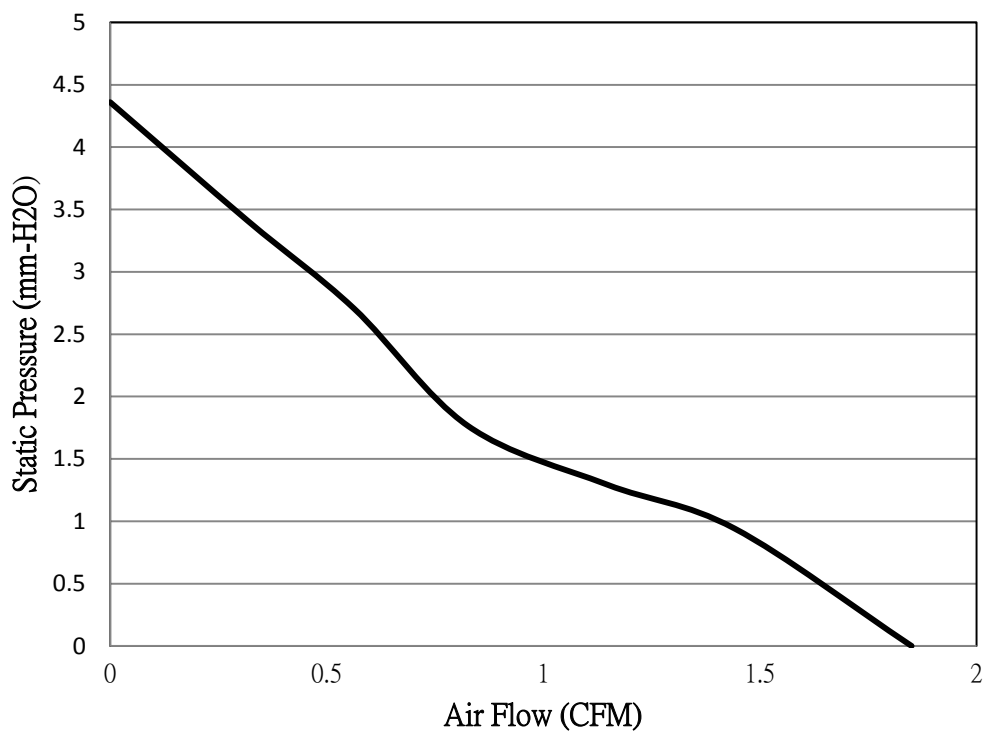
Ambient Operating Temperature	-10 ... 70 °C
Storage Temperature	-40 ... 75 °C
Operation Humidity	5 ... 90 % RH
Storage Humidity	5 ... 95 % RH

DC Axial Fan

Drawing



P-Q Curve



Art Nr.

RND 460-00080