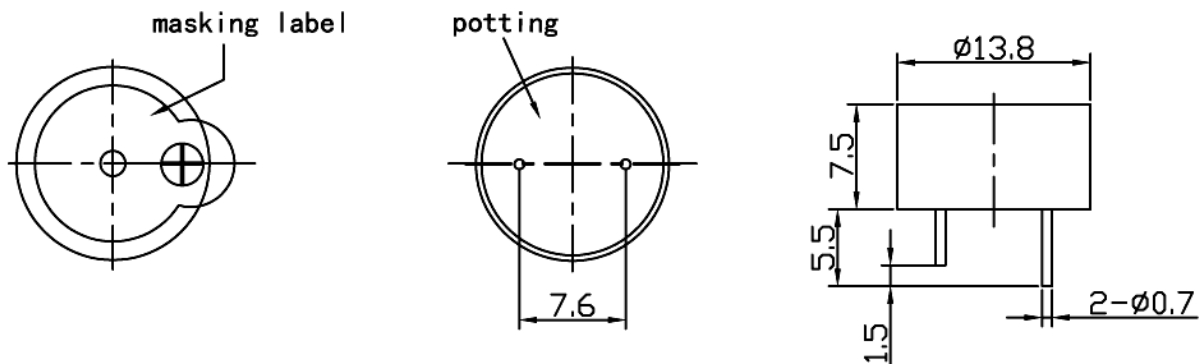


# ELECTRICAL SPECIFICATIONS:

Type	Unit	EPI-R1410S2
Rated voltage	V	12
Operating Voltage	V	3-16
*Rated Current (MAX)	mA	7
* Min Sound Output at 10 cm	dB	80
*Resonant Frequency	Hz	4500 ± 500
Tone Nature	Continuous	
Lead Wire/Lead pin material	Red copper	
Operating Temperature	° C	-20 - +70
Storage Temperature	° C	-30 - +80
Weight	g	1

\*Value Applying at Rated Voltage (DC).

DIMENSIONS UNIT:mm Tolerance: ±0.5mm



HOUSING MATERIAL:NORYL WAVE SOLDER AND WASH ALLOWED.