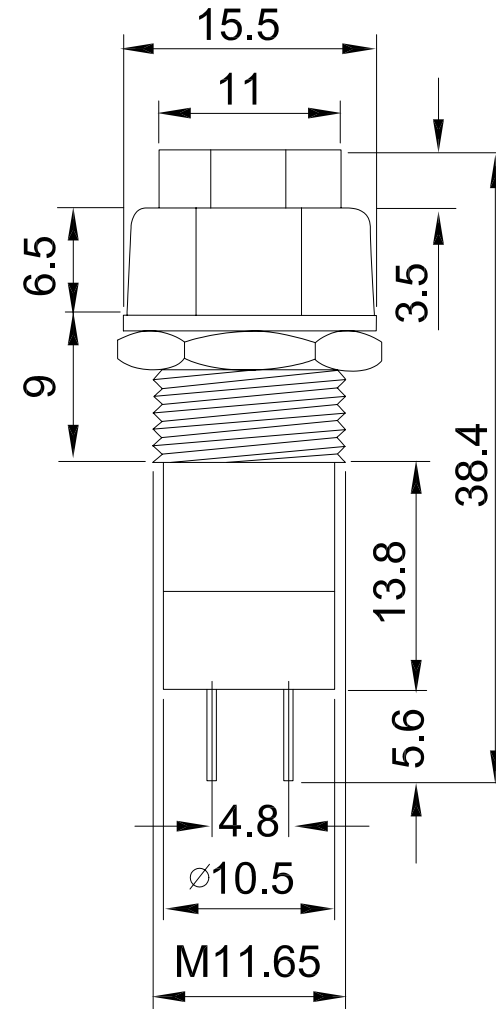
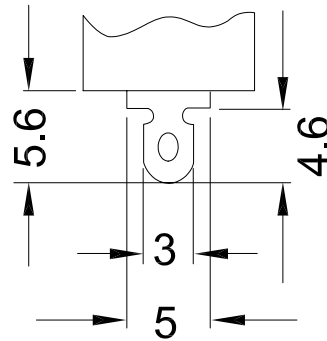
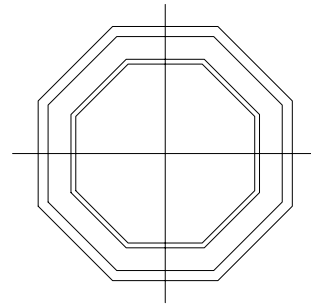


R18-24 DIMENSIONS



**RATING : 1A 250VAC/ 3A 125VAC**  
**DIELECTRIC STRENGTH : 1000 VAC 1 minute**  
**CONTACT RESISTANCE : 30mΩ (max)**  
**INSULATION RESISTANCE :**  
     100 MΩ min (at 500 VDC)  
**ELECTRICAL LIFE : 30,000 (min)**  
**MECHANICAL LIFE : 50,000 (min)**  
**PUSH FORCE : >0.3kg**

**MATERIAL :**  
**BUTTON : ABS**  
**CASE : PHENOLIC**  
**TERMINAL : COPPER, ALLOY (SILVER or GOLD) PLATED**  
**CONTACT : SILVER PLATED**  
**WASHER NUT : STEEL, NICKEL PLATED**  
**SPRING : STAINLESS STEEL WIRE**

		nominal tolerance		part no. R18-24	 <b>興瀚企業股份有限公司</b> Salecom. Electronics Co., Ltd	material			
		range	tolerance			dwg no. SWR18-24-001	check		
Model No.	TYPE	0~1	±0.10	part name. R18 Pushbutton Switches	scale 2:1	 drawer Jessica			
R18-24A	OFF-ON	1~4	±0.20				unit m/m (inch)	rev. 1	date
R18-24B	OFF-(ON)	4~16	±0.30						2005/03/21