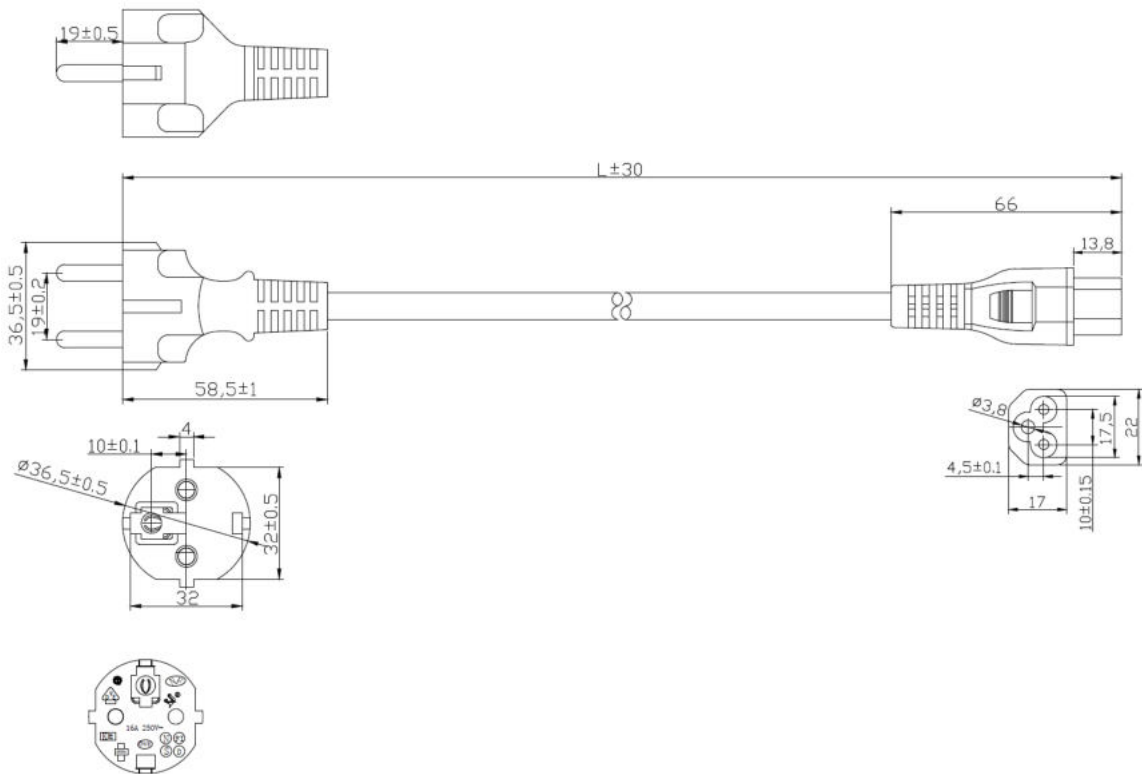


# Mains Cable



## Specification

Connector A	Type F (CEE 7/7)
Connector B	IEC 60320 C5
Connector Orientation	Straight
Cross-Section	0.75 mm <sup>2</sup>
Current Rating	16 A
Jacket Colour	Black
Jacket Material	PVC
Length (L)	1.5 m
Voltage Rating Max.	250 V

### Notes:

- 1.Cable:H05VV-F 3G0.75<sup>2</sup>mm Jacket  $\phi 6.5 \pm 0.1$  Conductor 24\*0.198
- 2.Mark:  $\triangleleft$  VDE  $\triangleright$  H05VV-F 3G0.75mm<sup>2</sup>
- 3.Test:Hi-pot: Inner Voltage AC2500V/1S , External Voltage AC4500V/1S  
current leakage 1mA, insulation resistance no less than 50M  $\Omega$ , no strike out;

**Art. Nr.**  
**RND 465-00948**

## Product Range

Product name	Model specification	Remarks
RND 465-00947	H05VV-F 3G 0.75mm <sup>2</sup> 0.5M	Black
RND 465-00948	H05VV-F 3G 0.75mm <sup>2</sup> 1.5M	Black
RND 465-00949	H05VV-F 3G 0.75mm <sup>2</sup> 3.0M	Black
RND 465-00950	H05VV-F 3G 0.75mm <sup>2</sup> 5.0M	Black