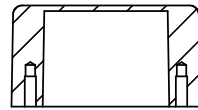


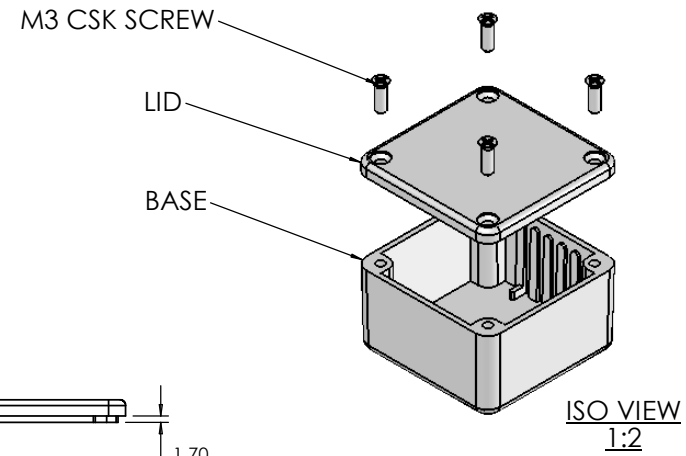
OVERALL ASSEMBLY DIMENSIONS:

EXTERNAL - 50 x 50 x 31

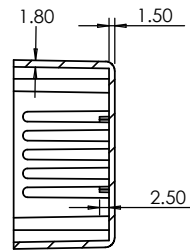
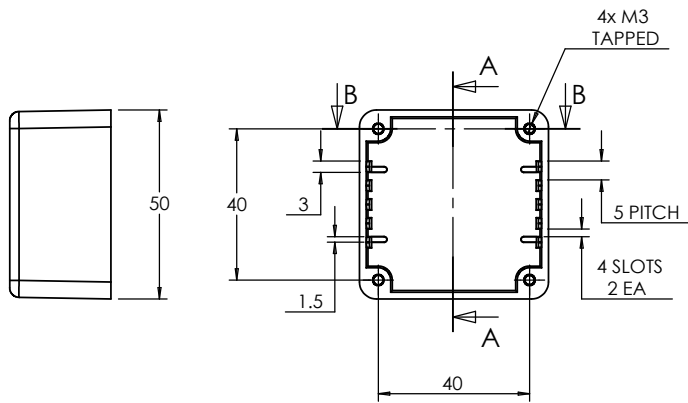
INTERNAL - 46.4 x 46.4 x 26.8



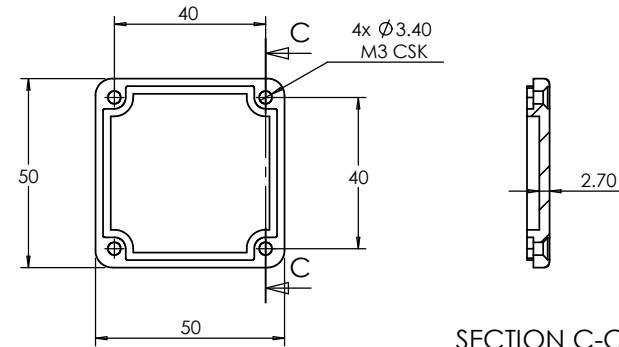
SECTION B-B



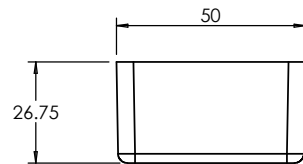
ISO VIEW
1:2



SECTION A-A



SECTION C-C



LID

<p>JAMES CARTER RD, MILDENHALL, SUFFOLK. IP28 7DE TEL: 01638 716101 FAX: 01638 716554 EMAIL: SALES@BOSS-ENCLOSURES.CO.UK WEB: www.BOSS-ENCLOSURES.CO.UK</p>				UNLESS OTHERWISE SPECIFIED: DIMENSIONS ARE IN MILLIMETERS		DO NOT SCALE DRAWING		REVISION. 0		
				FINISH: SMOOTH		TITLE: ASSEMBLY DRG FOR 5001/11				
DRAWN S.HARDINGE		SIGNED SJH		DATE 07/12/05		MATERIAL: DIE-CAST ALUMINIUM		DWG NO. 5001,11		A4
CHK'D -		-		-		PROJECTION.		SCALE: 1:2		SHEET 1 OF 1