



95.85.3

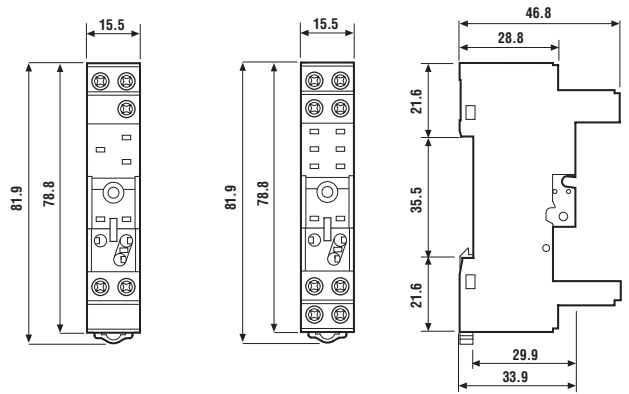
 Approvals  
(according to type):


GOST

- Rated values: 10 A - 250 V  
with a current >10 A, the contact terminal must be connected in parallel (21 with 11, 24 with 14, 22 with 12)
- Insulation:  $\geq 6$  kV (1.2/50  $\mu$ s)  
between coil and contacts (only for 95.83.3)
- Protection category: IP 20
- Ambient temperature: (-40...+70)°C
- Srew torque: 0.5 Nm
- Wire strip length: 7 mm
- Max wire size:

	solid wire	stranded wire
mm <sup>2</sup>	1x6 / 2x2.5	1x4 / 2x2.5
AWG	1x10 / 2x14	1x12 / 2x14

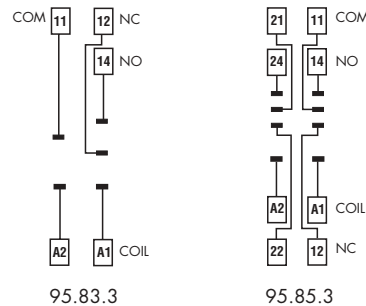
Relay type	40.31		40.51, 40.52, 40.61	
Colour	BLUE	BLACK	BLUE	BLACK
Clamp terminal socket: panel or 35 mm rail (EN 50022) mount retaining clip 095.91.3 supplied with socket packaging code SPA	95.83.3	95.83.30	95.85.3	95.85.30
Metal retaining clip	095.71			
Plastic retaining and release clip	095.91.3			
8-way jumper link for 95.83.3 and 95.85.3 sockets	095.08	095.08.0	095.08	095.08.0
Modules (see table below)	99.80			
Sheet of marker tags for retaining and release clip 095.91.3	060.72			

**40**


095.91.3



060.72



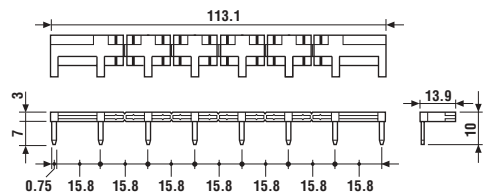
### FOR 95.83.3 AND 95.85.3 SOCKETS:



095.08

<b>8-way jumper link</b>	095.08
--------------------------	--------

- Rated values: 10 A - 250 V



99.80

 Approvals  
(according to type):

GOST

\* Modules in Black housing are available on request.

\*\*For DC supply, apply the positive to terminal A1.

 Green LED is standard.  
Red LED available on request.

99.80 coil indication and EMC suppression modules (see technical data page 209)		BLUE*
Diode** (+A1, standard polarity)	(6...220)V DC	99.80.3.000.00
LED	(6...24)V DC/AC	99.80.0.024.59
LED	(28...60)V DC/AC	99.80.0.060.59
LED	(110...240)V DC/AC	99.80.0.230.59
LED + Diode** (+A1, standard polarity)	(6...24)V DC	99.80.9.024.99
LED + Diode** (+A1, standard polarity)	(28...60)V DC	99.80.9.060.99
LED + Diode** (+A1, standard polarity)	(110...220)V DC	99.80.9.220.99
LED + Varistor	(6...24)V DC/AC	99.80.0.024.98
LED + Varistor	(28...60)V DC/AC	99.80.0.060.98
LED + Varistor	(110...240)V DC/AC	99.80.0.230.98
RC circuit	(6...24)V DC/AC	99.80.0.024.09
RC circuit	(28...60)V DC/AC	99.80.0.060.09
RC circuit	(110...240)V DC/AC	99.80.0.230.09
Residual current by-pass (62 k $\Omega$ /1W)	(110...240)V AC	99.80.8.230.07