

PRODUKTINFORMATION

Vi reserverar oss mot fel samt förbehåller oss rätten till ändringar utan föregående meddelande

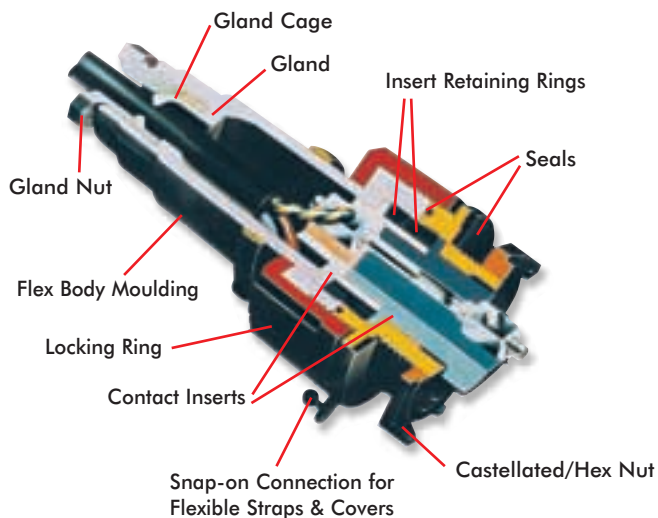
ELFA artikelnr

44-620-08	Kabelstiftdon 2-pol IP68	PX0736/P
44-620-16	Kabelstiftdon 3-pol IP68	PX0731/P
44-620-32	Kabelstiftdon 6-pol IP68	PX0739/P
44-620-40	Kabelstiftdon 9-pol IP68	PX0728/P
44-620-73	Kabelhylsdon 2-pol IP68	PX0736/S
44-620-81	Kabelhylsdon 3-pol IP68	PX0731/S
44-621-07	Kabelhylsdon 6-pol IP68	PX0739/S
44-621-15	Kabelhylsdon 9-pol IP68	PX0728/S
44-621-49	Chassistiftdon 2-pol IP68	PX0764/P
44-621-56	Chassistiftdon 3-pol IP68	PX0765/P
44-621-72	Chassistiftdon 6-pol IP68	PX0767/P
44-622-06	Chassistiftdon 9-pol IP68	PX0769/P
44-622-14	Chassihylsdon 2-pol IP68	PX0764/S
44-622-22	Chassihylsdon 3-pol IP68	PX0765/S
44-622-30	Chassihylsdon 9-pol IP68	PX0769/S
44-622-48	Chassihylsdon 6-pol IP68	PX0767/S
44-622-89	Kabelhylsskarvdon 2-pol	PX0737/S
44-622-97	Kabelhylsskarvdon 3-pol	PX0732/S
44-623-05	Kabelhylsskarvdon 9-pol	PX0729/S
44-623-13	Kabelhylsskarvdon 6-pol	PX0740/S
44-623-21	Chassistiftdon 2-pol IP68	PX0735/P
44-623-39	Chassistiftdon 3-pol IP68	CPX0730/P
44-623-47	Chassistiftdon 6-pol IP68	PX0738/P
44-623-54	Chassihylsdon 2-pol IP68	PX0735/S
44-623-62	Chassihylsdon 3-pol IP68	PX0730/S
44-623-70	Chassihylsdon 6-pol IP68	CPX0738/S
44-623-88	Chassistiftdon 9-pol IP68	PX0727/P
44-623-96	Chassihylsdon 9-pol IP68	PX0727/S
44-641-03	Kabelstiftdon 7-pol IP68	PX0745/P
44-641-11	Kabelhysdon 7-pol IP68	PX0745/S
44-641-29	Kabelhylsskarvdon 7-pol	PX0746/S
44-641-37	Chassistiftdon 7-pol IP68	PX0768/P
44-641-45	Chassihylsdon 7-pol IP68	PX0768/S
44-641-52	Chassistiftdon 7-pol IP68	PX0744/P
44-641-60	Chassihylsdon 7-pol IP68	PX0744/S
44-625-03	Vattentätt skarvdon IP68	PX0777
44-625-11	Kabelavlastning t. Bucc.	12237
44-625-60	Skyddslock för kabeldon	PX0734
44-625-78	Kabeltätning 5-7mm	12023/1
44-625-86	Skyddslock för chassidon	PX0733
44-625-94	Kabeltätning 7-9mm	2023/2



Standard Buccaneer®

Buccaneer®
Connectors



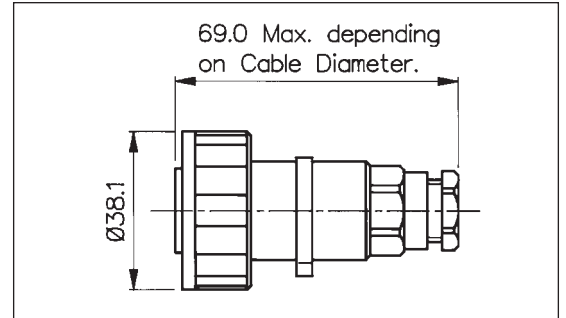
- Diameter over coupling ring 38mm
- 2, 3, 4, 6, 7, 9 and 25 pole
- 10A, 250V a.c. 2 & 3 pole screw terminal
- 6A, 250V a.c. 4 pole screw terminal
- 3A, 250V a.c. 6 and 7 pole screw terminal
- 5A, 150V a.c. 9 pole crimp contacts
- 1A, 50V a.c. 25 pole crimp or solder contacts
- Plug or socket connection in each body style
- Positive locating keyways - cannot be mis-connected
- Compact design
- UL, CSA and VDE approvals
- Water and dustproof to IP68 when mated
- IP68 rating tested at 15lb/sq in (10m depth) for 2 weeks and 140lb/sq in (100m depth) for 12 hours
- Sealing caps available to maintain IP68 rating of unmated connectors
- 5 body styles - flex & in-line flex, panel - single hole & flange mounting
- Leading earth contact for 3 pole socket version
- Easy assembly - no special tools required on screw terminal versions
- Cable range from 3.5mm - 9mm

BULGIN Buccaneer® Connectors

Standard Buccaneer®



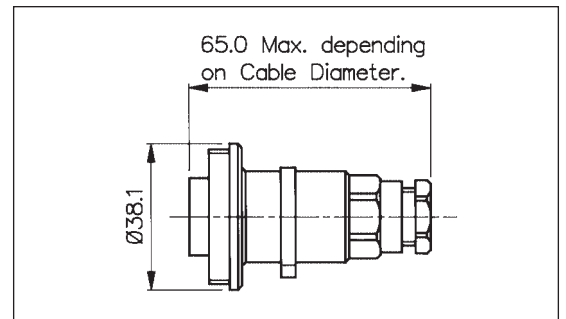
- Flex Cable Connector
- Screw Locking Ring
- Pin or Socket Versions
- Leading Earth on 3 pole connectors
- Poles 2, 3, 4, 6, 7, 9, 25 or BNC
- Standard Cable Acceptance 6-8mm, 3.5-9 mm with alternative glands
- Mates with In-Line Flex or Panel Mounting Versions



Poles	Termination	Pin Contacts	Socket Contacts	Contacts
2	Screw	PX0736/P	PX0736/S	Supplied Fitted
3	Screw	PX0731/P	PX0731/S	Supplied Fitted
4	Screw	PX0748/P	PX0748/S	Supplied Fitted
6	Screw	PX0739/P	PX0739/S	Supplied Fitted
7	Screw	PX0745/P	PX0745/S	Supplied Fitted
9	Crimp	PX0728/P	PX0728/S	Supplied Loose
25	Crimp/Solder	PX0820/P	PX0820/S	Order Separately
50ΩBNC	Crimp	PX0742/P/50Ω		Supplied Loose
75ΩBNC	Crimp	PX0742/P/75Ω		Supplied Loose



- In-Line Flex Cable Connector
- Pin or Socket Versions
- Leading Earth on 3 pole connectors
- Poles 2, 3, 4, 6, 7, 9, 25 or BNC
- Standard Cable Acceptance 6-8mm, 3.5-9 mm with alternative glands
- Mates with Flex Cable Connector



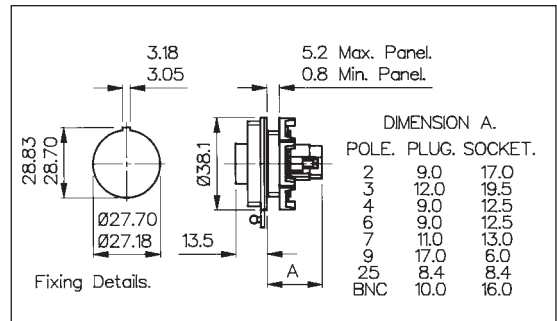
Poles	Termination	Pin Contacts	Socket Contacts	Contacts
2	Screw	PX0737/P	PX0737/S	Supplied Fitted
3	Screw	PX0732/P	PX0732/S	Supplied Fitted
4	Screw	PX0749/P	PX0749/S	Supplied Fitted
6	Screw	PX0740/P	PX0740/S	Supplied Fitted
7	Screw	PX0746/P	PX0746/S	Supplied Fitted
9	Crimp	PX0729/P	PX0729/S	Supplied Loose
25	Crimp/Solder	PX0821/P	PX0821/S	Order Separately
50ΩBNC	Crimp		PX0743/S/50Ω	Supplied Loose
75ΩBNC	Crimp		PX0743/S/75Ω	Supplied Loose

Standard Buccaneer®



Panel Mounting

- Panel Mounting Connector
- Single Hole Fixing
- Pin or Socket Versions
- Poles 2, 3, 4, 6, 7, 9, 25 or BNC
- Mates with Flex Cable Connector

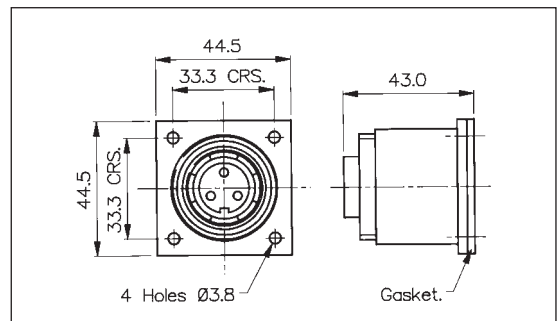


Poles	Termination	Pin Contacts	Socket Contacts	Contacts
2	Screw	PX0735/P	PX0735/S	Supplied Fitted
3	Screw	PX0730/P	PX0730/S	Supplied Fitted
4	Screw	PX0747/P	PX0747/S	Supplied Fitted
6	Screw	PX0738/P	PX0738/S	Supplied Fitted
7	Screw	PX0744/P	PX0744/S	Supplied Fitted
9	Crimp	PX0727/P	PX0727/S	Supplied Loose
25	Crimp/Solder	PX0822/P	PX0822/S	Order Separately
50ΩBNC	Crimp		PX0741/S/50Ω	Supplied Loose
75ΩBNC	Crimp		PX0741/S/75Ω	Supplied Loose



Bulkhead Flange Mounting

- Bulkhead Flange Mounting Connector
- Screw Fixing Flange
- Pin or Socket Versions
- Poles 2, 3, 4, 6, 7, 9, 25 or BNC
- Mates with Flex Cable Connector
- Supplied with sealing gasket and screw sealing grommets

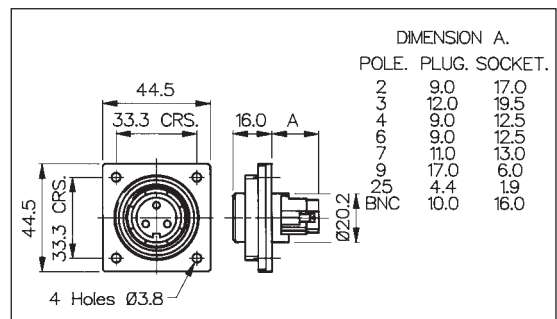


Poles	Termination	Pin Contacts	Socket Contacts	Contacts
2	Screw	PX0757/P	PX0757/S	Supplied Fitted
3	Screw	PX0756/P	PX0756/S	Supplied Fitted
4	Screw	PX0761/P	PX0761/S	Supplied Fitted
6	Screw	PX0758/P	PX0758/S	Supplied Fitted
7	Screw	PX0760/P	PX0760/S	Supplied Fitted
9	Crimp	PX0762/P	PX0762/S	Supplied Loose
25	Crimp/Solder	PX0823/P	PX0823/S	Order Separately
50ΩBNC	Crimp		PX0759/S/50Ω	Supplied Loose
75ΩBNC	Crimp		PX0759/S/75Ω	Supplied Loose



Low Profile Flange Mounting

- Low Profile Flange Mounting Connector
- Screw Flange Fixing
- Pin or Socket Versions
- Poles 2, 3, 4, 6, 7, 9, 25 or BNC
- Mates with Flex Cable Connector
- Supplied with sealing gasket and screw sealing grommets



Poles	Termination	Pin Contacts	Socket Contacts	Contacts
2	Screw	PX0764/P	PX0764/S	Supplied Fitted
3	Screw	PX0765/P	PX0765/S	Supplied Fitted
4	Screw	PX0766/P	PX0766/S	Supplied Fitted
6	Screw	PX0767/P	PX0767/S	Supplied Fitted
7	Screw	PX0768/P	PX0768/S	Supplied Fitted
9	Crimp	PX0769/P	PX0769/S	Supplied Loose
25	Crimp/Solder	PX0824/P	PX0824/S	Order Separately
50ΩBNC	Crimp		PX0763/S/50Ω	Supplied Loose
75ΩBNC	Crimp		PX0763/S/75Ω	Supplied Loose

BULGIN Buccaneer® Connectors

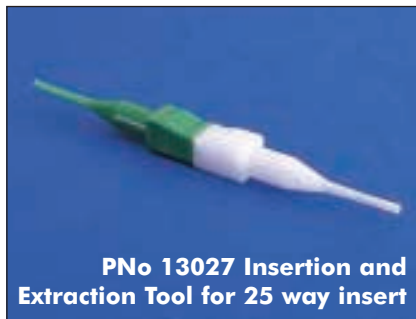
Standard Buccaneer®



- Contacts for 25 Way Inserts
- Crimp or Solder Pins and Sockets
- Gold Plated
- 1A, 50V

Contacts - Solder & Crimp

Contacts (Supplied in packs of 10)	Solder	Crimp
Pins	SA3180/1	SA3180
Sockets	SA3179/1	SA3179



- Insertion and Extraction Tool
- For Use with 25 Way Inserts

Tools

Crimp Tool (25 Way)	PNo. 13170
Crimp Tool (9 Way)	PNo. 13826
Insertion/Extraction Tool (25 Way)	PNo. 13027
Hex Cavities for BNC Inserts Centre Contact:	1.69 A/F (B.S. 'W'/ERMA XA)
Braid:	6.48 A/F (B.S. 'E'/ERMA XH)



- BNC Inserts
- 50 or 75 ohms available
- Fit all Standard Connector Versions

Cable Acceptance - Standard as supplied

No. Contacts	Cable Diameter
2-9 Pole	6-8mm
25 Pole	7-9mm
BNC	RG 58/CU, URM43, URM76, URM70

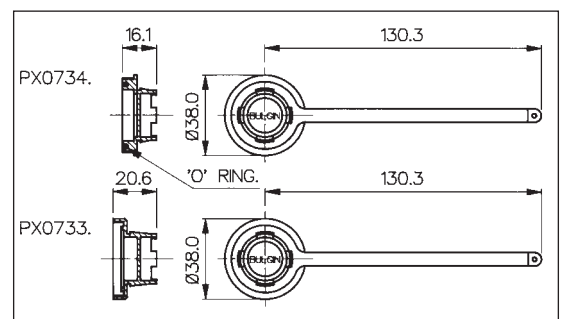
Cable Acceptance - Alternatives

Cable Diameter	Gland Part No.	Gland Colour	Additional Suffix
6-8mm	12023	Black	Standard for 2-9 pole
3.5-5mm	12023/5	Grey	Suffix /04
5-7mm	12023/1	White	Suffix /05
7-9mm	12023/2	Yellow	Suffix /07
Gland Pack	SA3253		Pack of 3 glands to suit cables 3.5-5mm, 5-7mm & 7-9mm dia

To order connector with alternative cable gland add suffix to part no. e.g. PX0731/P/07 = PX0731 connector with cable gland to suit 7-9mm dia. cable.



- Sealing Cap/Assembly Tool
- Maintains IP68 Rating of Unmated Connectors
- Can be used to remove Inserts
- Two Styles, One for Flex Mount and One for Panel Mount & Flex In-Line Connector

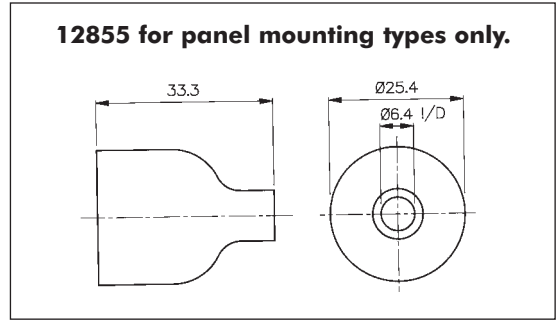


Standard Buccaneer®



Boot PNo. 12855

- PVC Insulation Boot
- Protects Rear of the Connector
- Flammability Rating UL94V-0
- Fits Panel Mount Versions only

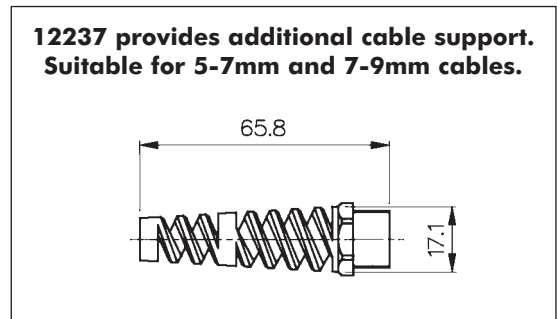


12855 for panel mounting types only.



PNo. 12237
Cable Support Accessory

- Cable Support Accessory
- Gives Extra Support to the Cable
- Suitable for 5-7mm and 7-9mm Cable Diameters



12237 provides additional cable support. Suitable for 5-7mm and 7-9mm cables.

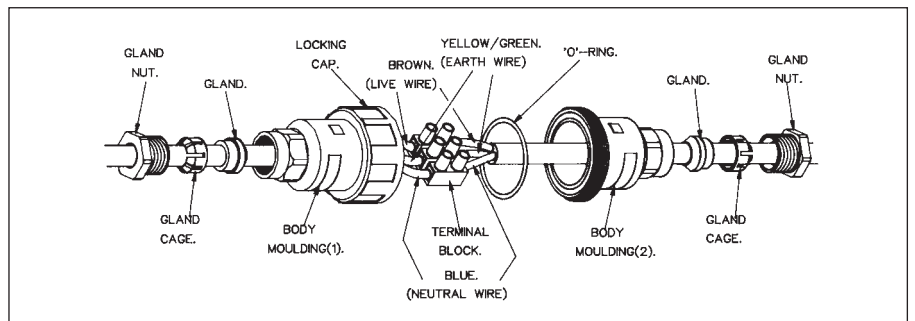
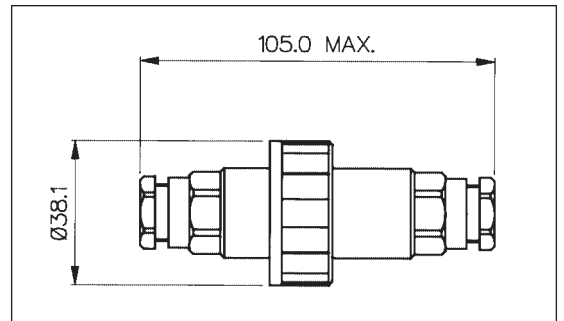
Specification

Electrical:		Mechanical:	
No Poles:	2, 3 4 6, 7 9 25	Sealing:	IP68, BS 5490 : 1977 Tested @ 15lb/sq.in. (10m depth) for 2 wks. BSEN 60529 : 1992 Tested @ 140lb/sq.in. (100m depth) for 12 hrs.
Current Rating:	10A 6A 3A 5A 1A	Cable Acceptance:	2-9 Pole - standard gland: 6-8mm dia 2-9 Pole - alternative glands: 3.5-9mm dia 25 Pole - standard gland: 7-9mm dim 25 Pole - alternative glands: 3.5-7mm dim
Voltage Rating (ac/dc):	250V 250V 250V 150V 50V	BNC 50Ω:	RG 58/CU, URM43 & URM76
Contact Resistance:	<10mΩ (2-9 Pole) <5mΩ (25 Pole)	BNC 75Ω:	URM70
Insulation Resistance:	>10 ¹⁰ MΩ @ 500V d.c. (2-9 Pole)	Contact Accommodation:	2 and 3 pole: 4mm ² (12AWG) max 4, 6 and 7 pole: 1.5mm ² (16AWG) max 9 pole: 0.14-0.2mm ² 25 pole: 0.21-0.081mm ²
AC Breakdown voltage:	4kV Pole - Pole (2-9 Pole) 6kV Poles - Panel (Low Profile Flange and Panel Types - 2-9 Pole) 7.5kV Poles - Panel (Other Types - 2-9 Pole)	Terminations:	2-7 Pole: Screw Terminals 9 Pole: Crimp Contacts 25 Pole: Crimp & Solder Contacts
Operating Temp. Range:	-20°C to +70°C	Tightening Torques:	Flex Mounting/In-Line: Gland Nut; 1.13Nm (10lbf.in.) Panel Mounting: Rear Fixing Nut; 1.7Nm (15lbf.in.) Surface/Bulkhead and Low Profile Flange Mounting: 4 Fixing Screws (using washers supplied) 0.34Nm (3lbf.in.) Sealings Caps/Locking Ring: 1.13Nm (10lbf.in.)
Approvals:			
Material:			
Body Mouldings:	Glass Filled Polyamide UL94HB		
Inserts (2-9 pole):	Glass Filled Polyamide UL94HB		
Inserts (25 pole):	Polyamide UL94V-0		
Contacts:			
Screw Terminal:	Brass, Nickel Plated		
Crimp (9 pole):	Copper Alloy, Tin Plated		
Crimp/Solder (25 Pole):	Copper Alloy, Gold Plated (0.1μm on Nickel)		
BNC inserts:	Brass, Nickel Plated		
BNC contacts:	Brass, Silver Plated		

Sealed In-Line Cable Joiner



- IP68 Rating
- For Sealed In-Line Connections
- Standard Cable Acceptance 6-8mm
- Cable Range 3.5-9mm (using alternative glands)
- Supplied with 3 way Terminal Block
- Available Moulded in Black or Orange



Specification	PX0777
Rating:	6A, 250V a.c.
Wire Termination:	3 way Terminal Block (2.5mm ² -14 AWG max)
Cable Acceptance:	6-8mm dia - standard gland 3.5-5mm, 5-7mm or 7-9mm dia - alternative glands
Material:	Glass Filled Polyamide UL94HB
Sealing:	IP68 to BSEN 60529 : 1977
Operating Temp. Range:	-20°C to +70°C
Colour:	Black Orange (Add /OR to P.No.)
BNC Cable Types:	50 ohm – RG58/CU, URM43 & URM76 For BNC version of PX0777 add /50OHM to P.No.