

Receptacle Contacts

Technical Features

Contact Material:

CuZn (Tab)
CuSn (Receptacle)

Contact Finish:

tin plated

Current Carrying Capacity:

14 A max.

Wire Size Range:

0.35–2.5 mm²

Insulation Diameter:

1.2–3.3 mm FLR

Extraction Tool:

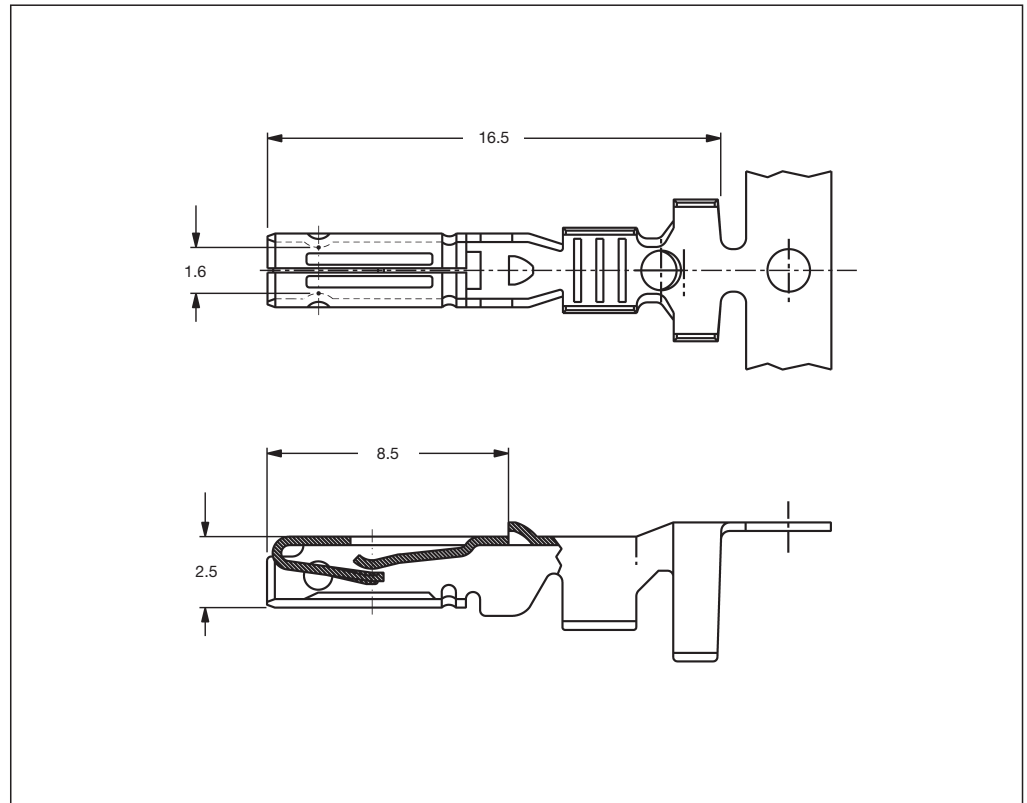
Part No. **9-1579007-1**

Product Specification:

108-20090

Application Specification:

114-20045



1.5 mm Receptacle Contacts

Wire Size Range (mm ²)	Insulation Diameter (mm)		Material and Finish	Part Numbers				Applicator	Hand Tool
	FLK	FLR		Strip Form	Package Quantity	Loose-Piece	Package Quantity		
0.35–0.50	1.45–2.20	1.2–1.6	CuSn, tin plated	282403-1	14,000	183035-1	5,000	1528347-1	58583-1
0.75–1.50	2.40–3.35	1.7–2.4	CuSn, tin plated	282110-1	14,000	183025-1	5,000	1528018-1	58583-1
1.5–2.5	3.15–3.80	2.2–3.3	CuSn, tin plated	282466-1	14,000	–	–	1426361-1	–

Note: All part numbers are RoHS and ELV compliant.

Tab Contacts

Technical Features

Contact Material:

CuZn (Tab)
CuSn (Receptacle)

Contact Finish:

tin plated, gold plated

Current Carrying Capacity:

14 A max.

Wire Size Range:

0.35–2.5 mm²

Insulation Diameter:

1.2–3.3 mm FLR

Extraction Tool:

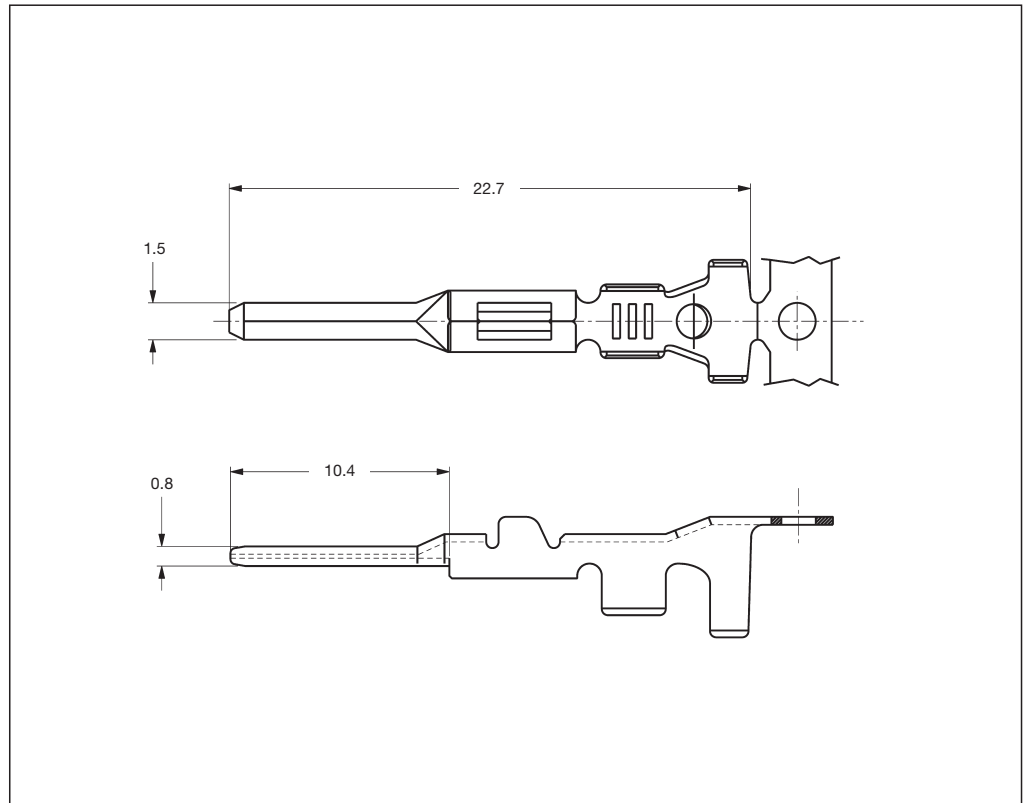
Part No. **9-1579007-1**

Product Specification:

108-20090

Application Specification:

114-20045



1.5 mm Tab Contacts

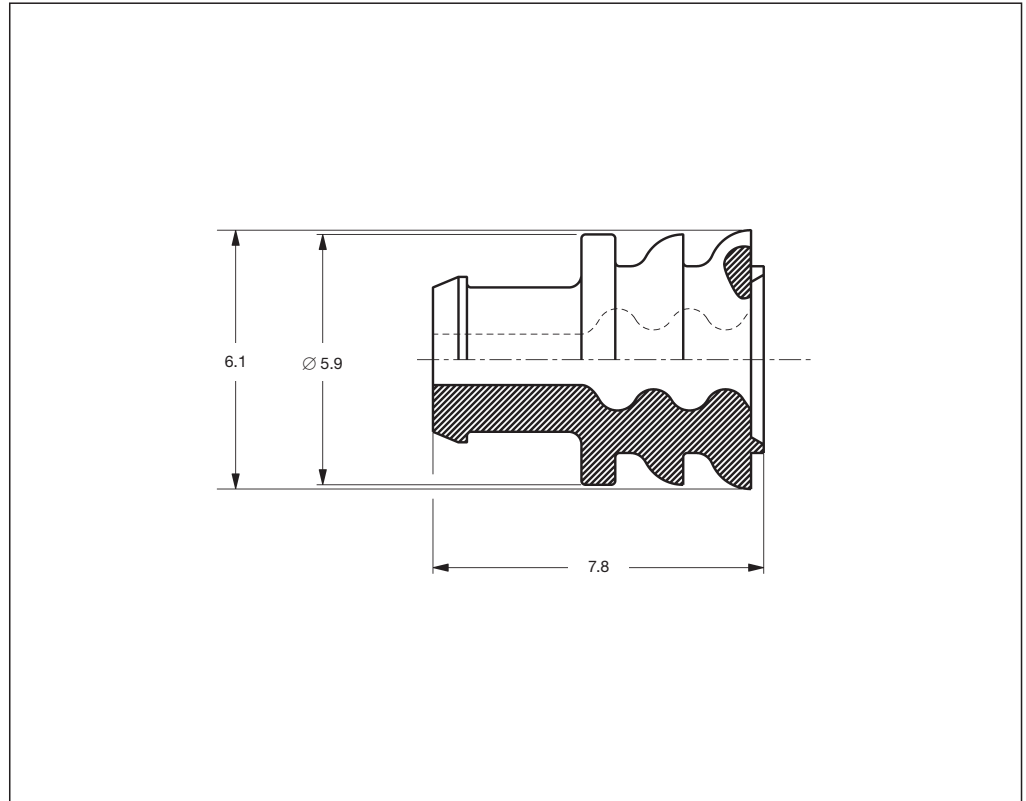
Wire Size Range (mm ²)	Insulation Diameter (mm)		Material and Finish	Part Numbers			Applicator	Hand Tool
	FLK	FLR		Strip Form	Package Quantity	Loose-Piece Package Quantity		
0.35–0.50	1.45–2.20	1.2–1.6	CuZn, tin plated	282404-1	16,000	183036-1 5,000	1528199-1	58583-1
			CuZn, gold plated	282404-3	16,000	–		
0.75–1.50	2.40–3.35	1.7–2.4	CuZn, tin plated	282109-1	16,000	183024-1 5,000	1528463-1	58583-1
			CuZn, gold plated	282109-3	16,000	–		
1.5–2.5	3.15–3.80	2.2–3.3	CuZn, tin plated	282465-1	16,000	–	1528200-1	–

Note: All part numbers are RoHS and ELV compliant.

Single Wire Seals and Cavity Plugs

Technical Features

- Made from silicon rubber material
- For insulation diameters of 1.2–3.3 mm
- Loose-piece wire seals are crimped simultaneously with the contacts



Single Wire Seals and Cavity Plug

Insulation Diameter (mm)		Color	Part Number	Package Quantity
FLK	FLR			
–	1.2–1.6	Green	281934-4	50,000
–	1.7–2.4	Yellow	281934-2	50,000
–	2.5–3.3	Red	281934-3	50,000
Cavity Plug		Red	282081-1	50,000

Plug Housings

Plug Housings

Utilizes Receptacle Contacts

Technical Features

Housing Material:

Polyamide 6.6 glass-filled

Color:

Black (other colors available)

Secondary Lock:

Polyamide 6.6 glass-filled

Color:

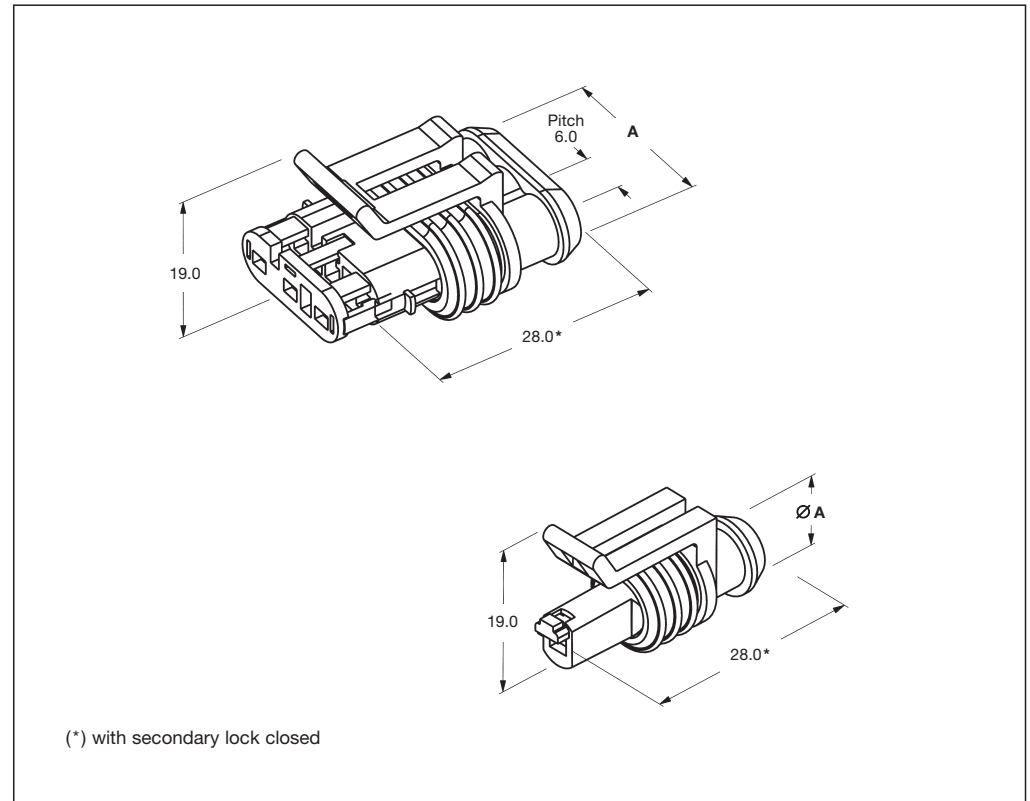
Red

Sealing:

Silicon Rubber

Color:

Yellow



Plug Housings

No. of Positions	Dimension A	Part Number	Package Quantity
	(mm)		
1	9.3	282079-2	3,000
2	15.3	282080-1	1,600
3	21.3	282087-1	1,300
4	27.3	282088-1	1,000
5	33.3	282089-1	500
6	39.3	282090-1	400

Cap Housings

Cap Housings

Utilizes Tab Contacts

Also suitable for panel mount application (see detail "X")

Technical Features

Housing Material:

Polyamide 6.6 glass-filled

Color:

Black (other colors available)

Secondary Lock:

Polyamide 6.6 glass-filled

Color:

Red

Extraction Tool for Secondary Lock of Cap Housing:

Part No. **785084-1**

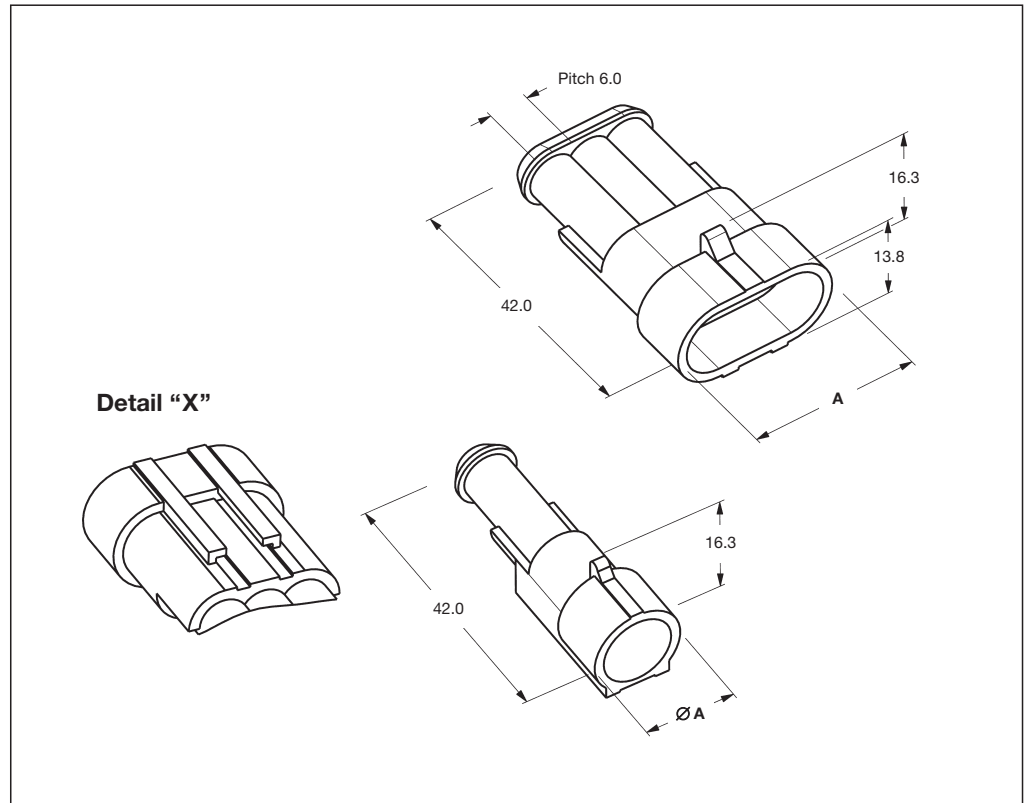
Insertion Tool for Secondary Lock of Cap Housing:

Part No. **785061-1**

for 1 and 2 positions

Part No. **785061-2**

for 3–6 positions



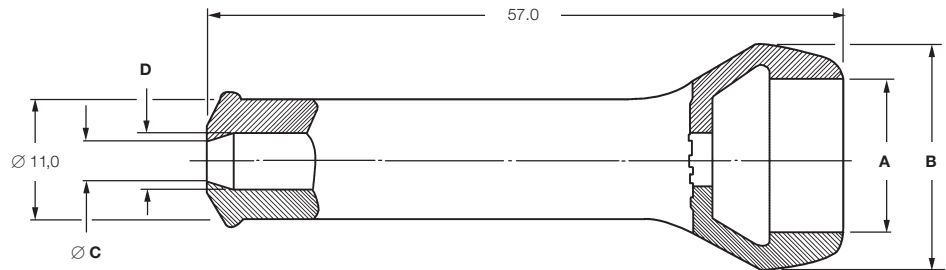
Cap Housings

No. of Positions	Dimension A (mm)	Part Number	Package Quantity
1	13.8	282103-1	2,200
2	19.8	282104-1	1,500
3	25.8	282105-1	1,200
4	31.8	282106-1	500
5	37.8	282107-1	700
6	43.8	282108-1	550

Rubber Boots

Rubber Boots

Connector Housing Part Number	Description	No. of Positions	Rubber Boot Part Number	Color	Package Quantity
282080-1	Plug Housing	2	880810-1	Black	1,500
282104-1	Cap Housing				
282087-1	Plug Housing	3	880811-2	Black	1,000
282105-1	Cap Housing				
282089-1	Plug Housing	5	880814-1	Black	100
282107-1	Cap Housing				



Dimensional Data

Boot Part Number	No. of Wires	Dimensions (mm)			
		A	B	C	D
880810-1	2	12.5	20.5	4.6	5.0
880811-2	3	17.5	25.5	4.6	5.0
493581-1*	4	21.0	34.5	-	7.0
880814-1	5	27.5	35.0	6.5	7.0

*) Different Style, see customer drawing