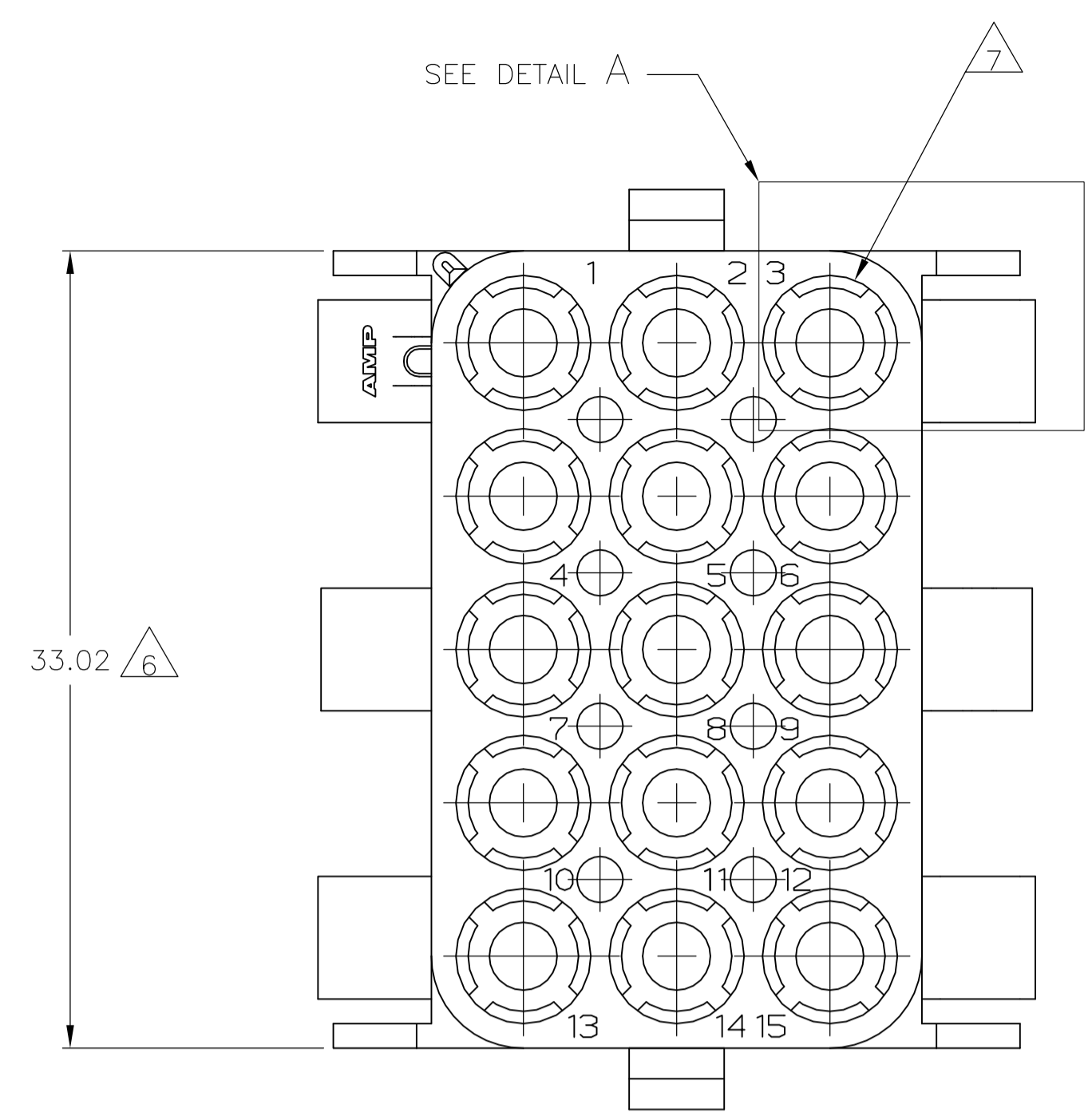
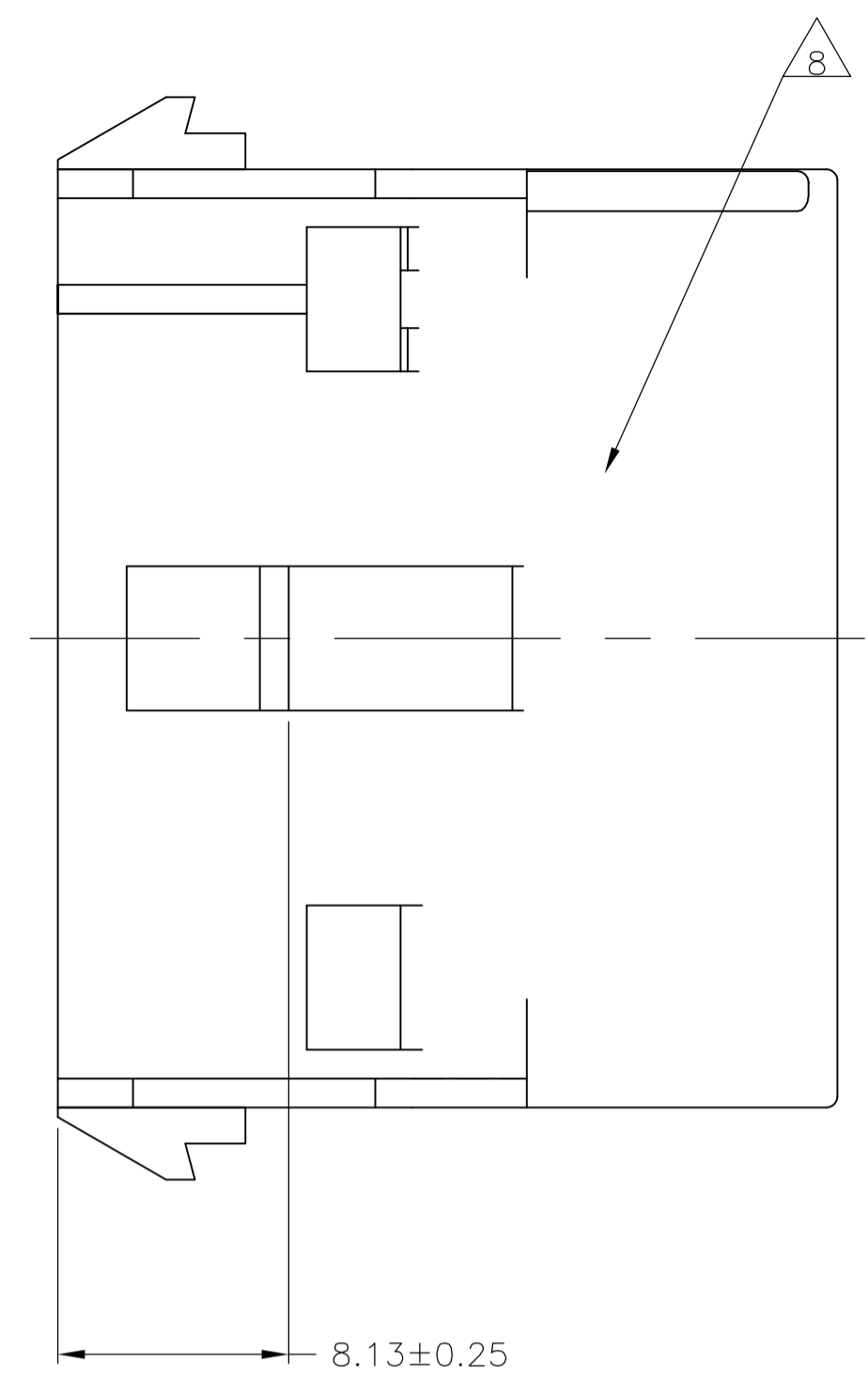
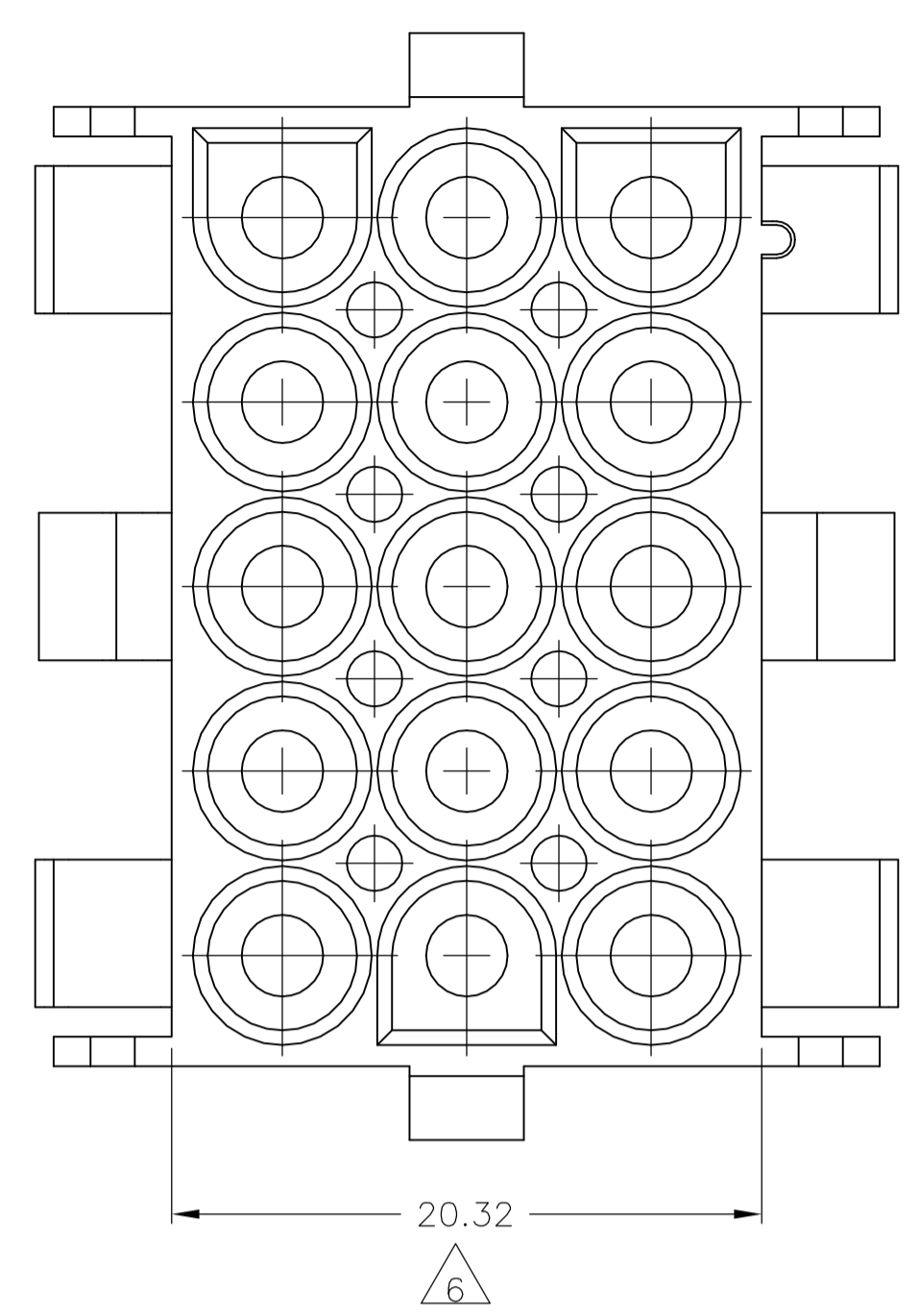
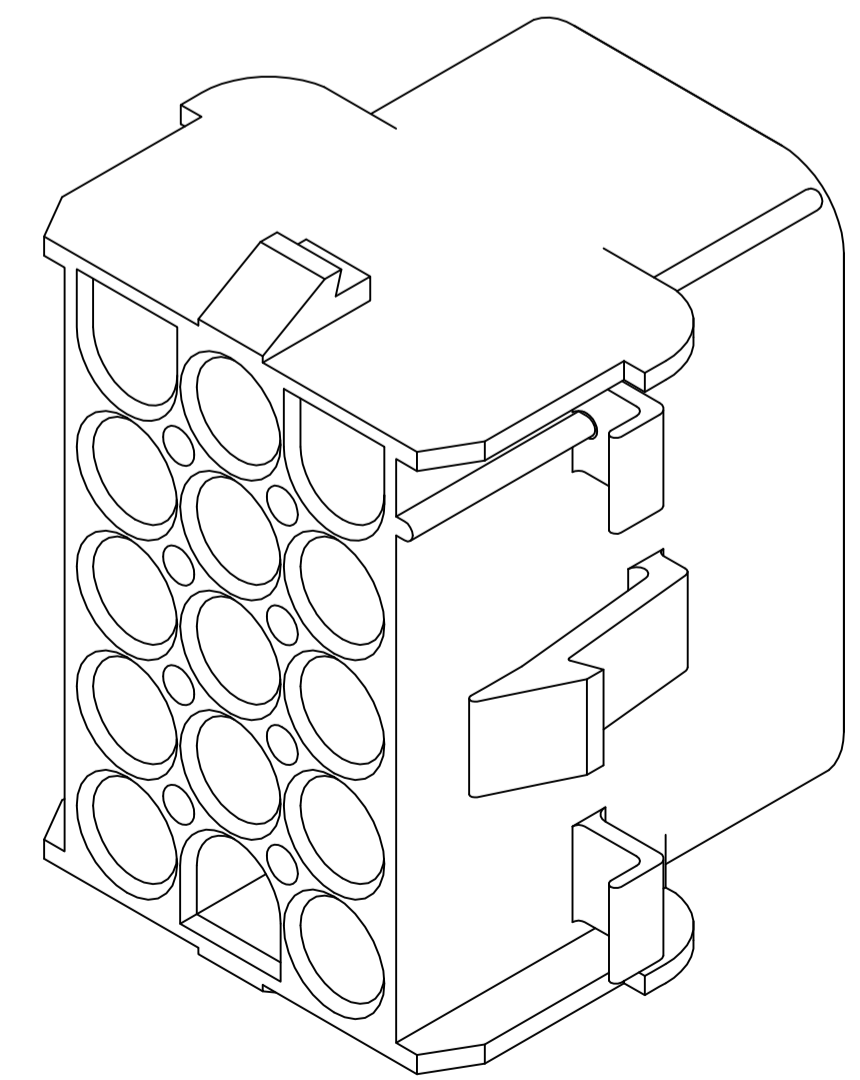
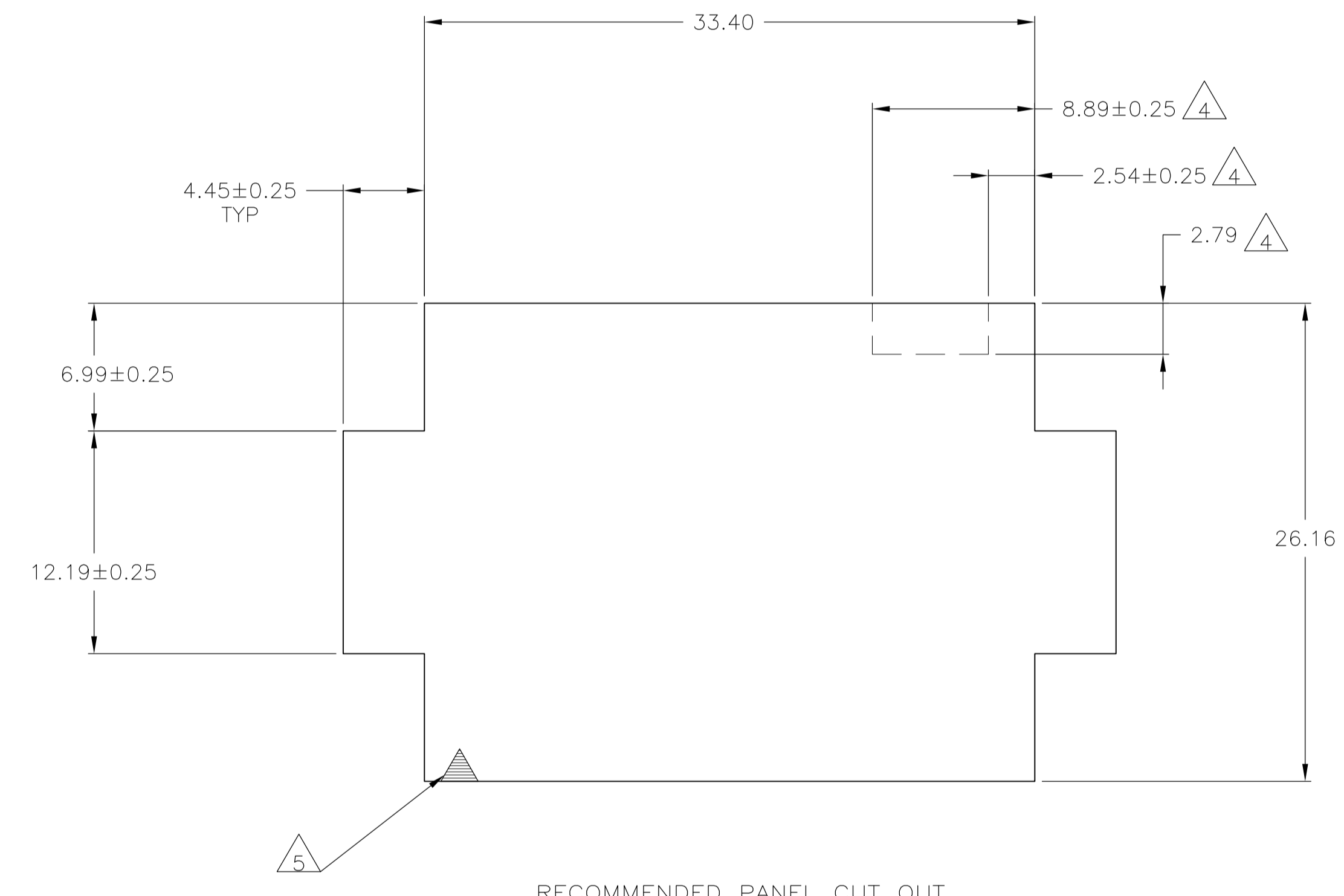
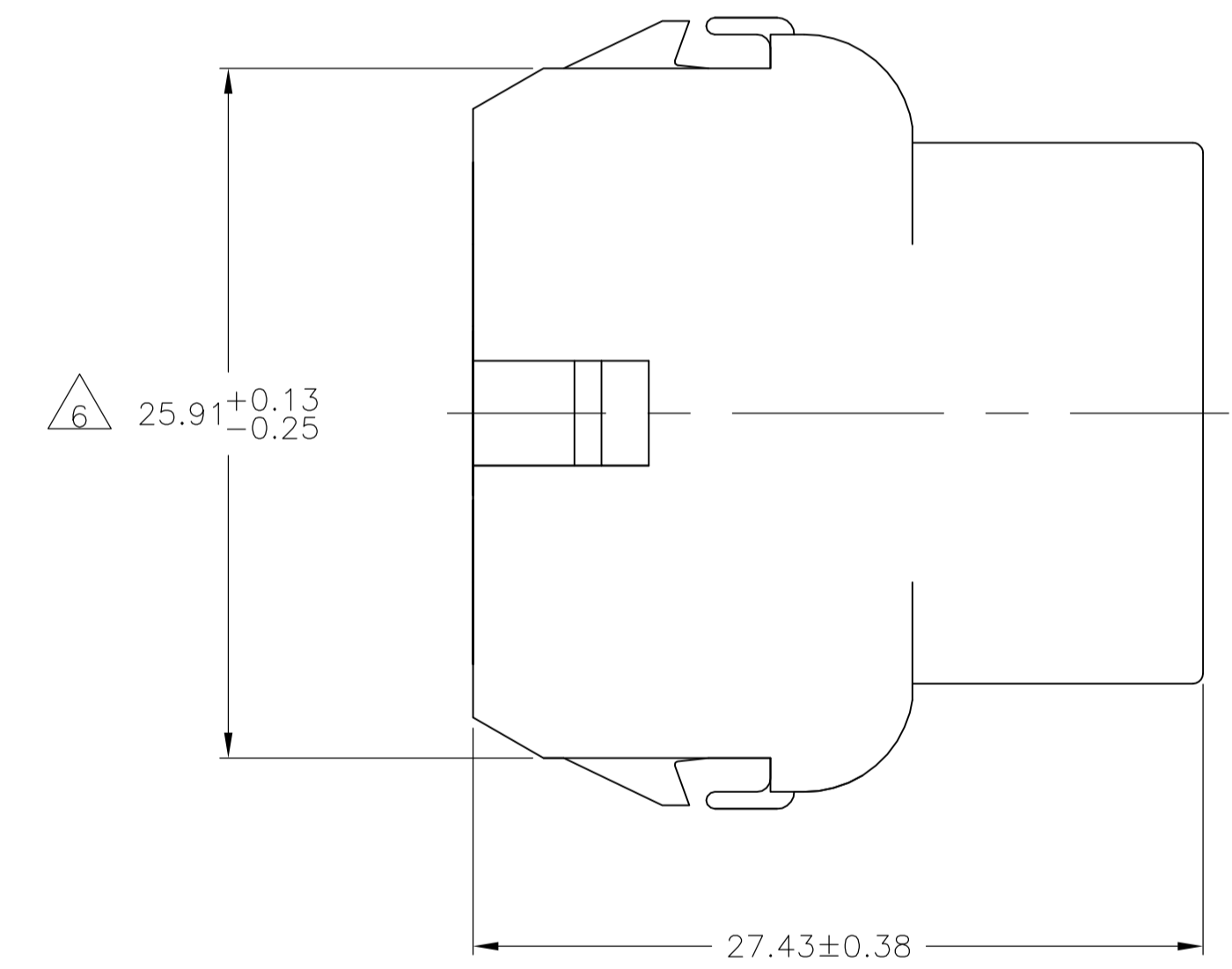
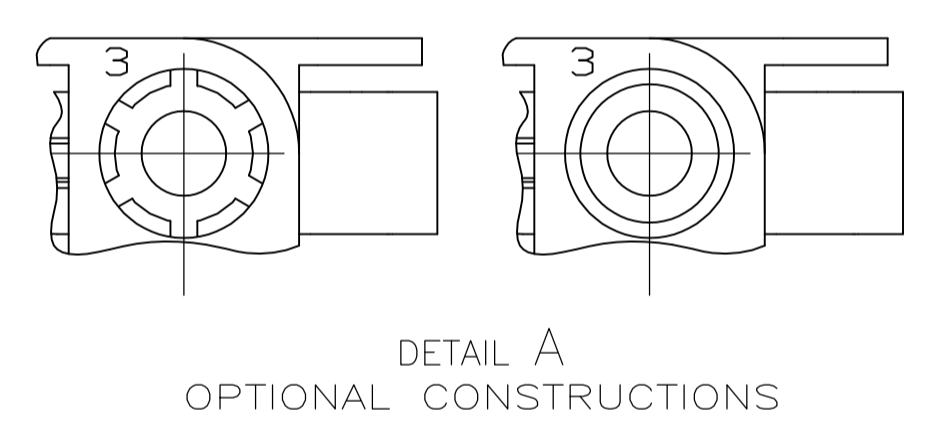


LOC		DIST		REVISIONS			
CM	53	REV	DATE	BY	CHK	APP	REV
U2	REVISED PER ECO-11-005027		11MAR11	RK	HMR		



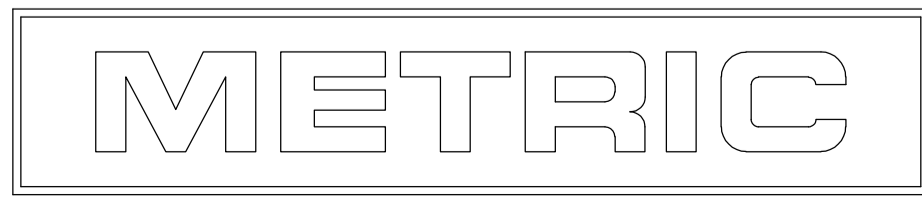
1. MATES WITH APPROPRIATE UNIVERSAL MATE-N-LOK™ PLUG.
2. RECOMMENDED PANEL THICKNESS 0.76 - 2.29.
3. PANEL MUST BE PUNCHED SO THAT THE HOUSING ENTERS THE PANEL IN THE SAME DIRECTION AS THE PUNCH.
4. OPTIONAL FOR KEYING HOUSING IN PANEL.
5. CIRCUIT NUMBER 1 LOCATION.
6. DIMENSION INDICATED IS AS MOLDED. ADDITIONAL GROWTH DUE TO SUBSEQUENT MOISTURE ABSORPTION MAY OCCUR.
7. FOUR RIBS EQUALLY SPACED, NO SPECIFIC ORIENTATION. NO RIBS OR SIX RIBS EQUALLY SPACED, NO SPECIFIC ORIENTATION, OPTIONAL.
8. UNDERWRITERS RECOGNIZED COMPONENT LOGO AND CSA CERTIFICATION LOGO TO BE LOCATED ONCE EACH ON SIDE OF HOUSING.



MM	IN	MM	IN
6.99	.275	33.40	1.315
4.45	.175	33.02	1.300
2.79	.110	27.43	1.080
2.54	.100	26.16	1.030
2.29	.090	25.91	1.020
0.76	.030	20.32	.800
0.38	.015	12.19	.480
0.25	.010	8.89	.350
0.13	.005	8.13	.320

CONVERSION TABLE

BLACK	1-350784-9
GRAY	1-350784-8
BLUE	1-350784-6
GREEN	1-350784-5
YELLOW	1-350784-4
ORANGE	1-350784-3
RED	1-350784-2
BROWN	1-350784-1
NATURAL	350784-1
COLOR	PART NUMBER



THIS DRAWING IS A CONTROLLED DOCUMENT.

DIMENSIONS: mm	TOLERANCES UNLESS OTHERWISE SPECIFIED:	DWG: K. WHITAKER 28MAY92	CHK: R. SWING 28MAY92	APPROV: D. SELF 28MAY92	NAME: CAP.15 CIRCUIT, UNIVERSAL MATE-N-LOK™
0. PLC ± -	1. PLC ± -	2. PLC ± 0.13	3. PLC ± -	4. PLC ± -	APPLICATION SPEC: -
ANGLES ± 1°	FINISH: -	WEIGHT: -	SIZE: A1	CAGE CODE: 00779	DRAWING NO: 350784
MATERIAL: NYLON,UL 94V-0	RESTRICTED TO: -	CUSTOMER DRAWING	SCALE: 4:1	SHEET: 1 OF 1	REV: U2

STE TE Connectivity