

# 2 NM LED Navigation Light

## L4478032 LED Transom Light-Round



### WARNING

Read all instructions carefully before installing and using this product. To prevent personal injury, disconnect the power source when installing or servicing this product.

### Approvals

ABYC A-16 & USCG for vessels < 20m.

### Position for Transom Light

As close as practical to the transom of the vessel, the mounting position must be vertical to the vessel center line.

When the lights are operating, the light should not be obstructed or concealed by superstructures or other objects.

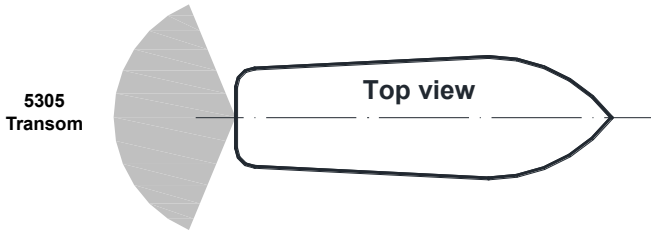


Figure 1

### Mounting Instructions

1. Make provisions for the power cable.
2. Mounting acrylic lens : Drill four holes for mounting screws.
3. Connect wires using waterproof crimp connectors
4. Caulk mounting holes and wire access holes.
5. Fasten assembly with four stainless steel screws. Do not over tighten.
6. Install the stainless steel cover.

**CAUTION:** Do not install the cover before fasten screws.

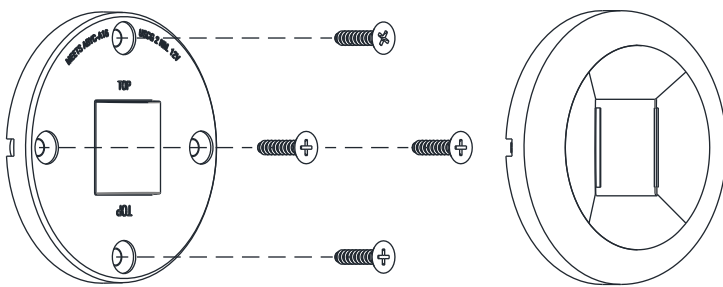


Figure 2

### Wiring Instructions

Connect to 12V DC power source only. All positive wires must be protected by a 1A fuse. Higher voltage or failure to make proper wire and fuse connections will void the product warranty.

Reverse polarity will not damage this product but will inhibit its function.

### Wiring Color Coding

Color	Connect to	Power
Red	Positive(+)	0.32 W
Black	Negative(-)	

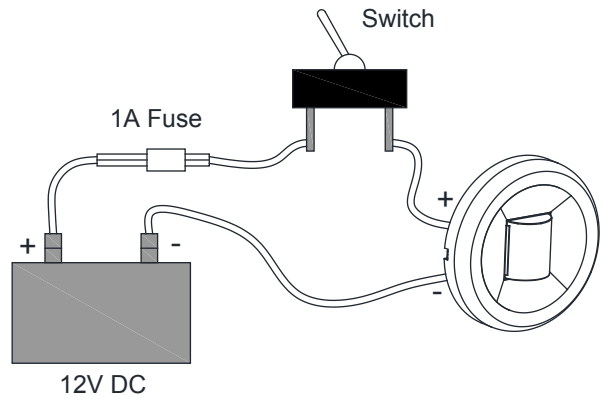


Figure 3

### Dimensions

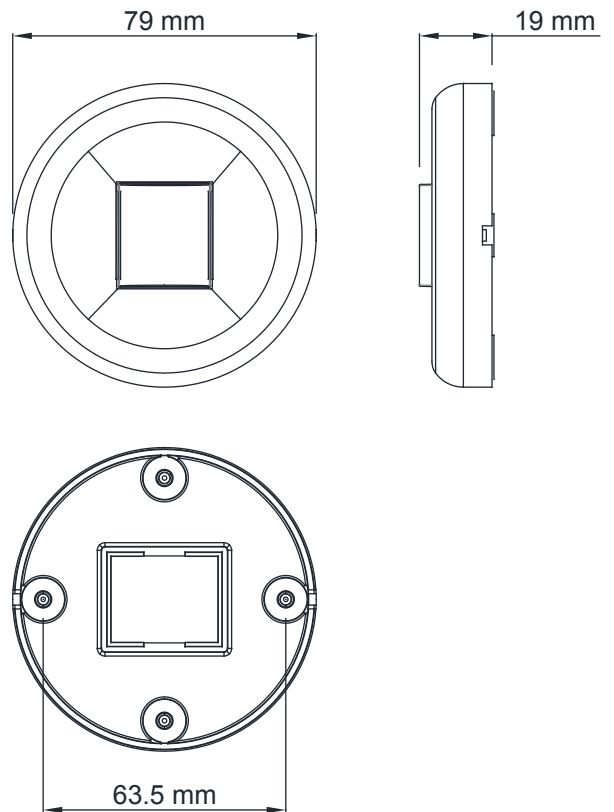


Figure 4

<b>Housing Description</b>	Acrylic lens with stainless cover
<b>Light Source</b>	Multiple LED
<b>Operating Voltage</b>	12V DC
<b>Power Consumption</b>	0.32 W