

# SPECIFICATION FOR APPROVAL

TO: \_\_\_\_\_

業務部 2/2

PART NAME	EMI FILTER	YUNPEN SAMPLE NO	FTA-0025
YUNPEN TYPE	YL06T1	SAMPLE DATE	OCT.01.2004
MODEL NO		OUR DRAWING NO	DR-00008a

**3.ELECTRICAL CHARACTERISTICS:**

- 3-1.RATED VOLTAGE ..... 125/250VAC
- 3-2.RATED CURRENT ..... 6 A
- 3-3.OPERATING FREQUENCY..... 50/60Hz
- 3-4.LEAK CURRENT:EACHLINE TO GROUND  
250VAC 50Hz ..... 0.8mA MAX
- 3-5.HIPOT RATING:(FOR ONE MINUTE)  
LINE TO LINE ..... 1450VDC  
LINE TO GROUND ..... 1800VAC
- 3-6.INSULATION RESISTANCE ..... 250VDC/100MOHM MIN
- 3-7.DIRECT CURRENT RESISTANCE ..... 0.15 OHM MAX
- 3-8.OPERATING TEMPERATURE ..... -25 TO +85°C

**4.SAFETY COMPLIANCE:**

- UL FILE NO:E134751
- CSA FILE NO:LR95210
- VDE FILE NO:40007880
- SEMKO FILE NO:9444068
- FIMKO FILE NO:184116-01...03
- NEMKO FILE NO:P95102844
- DEMKO FILE NO:303953

工程課出圖章	
發行日	OCT 06 2004
ISSUE DATE	OCT 06 2004
永鵬電子股份有限公司 YUNPEN ELECTRONIC CO., LTD.	
編號:	

## YUNPEN ELECTRONIC CO.,LTD

3F,NO.32,Chung Hsin Road, Shi Chih City, Taipei Hsien, Taiwan, R.O.C.

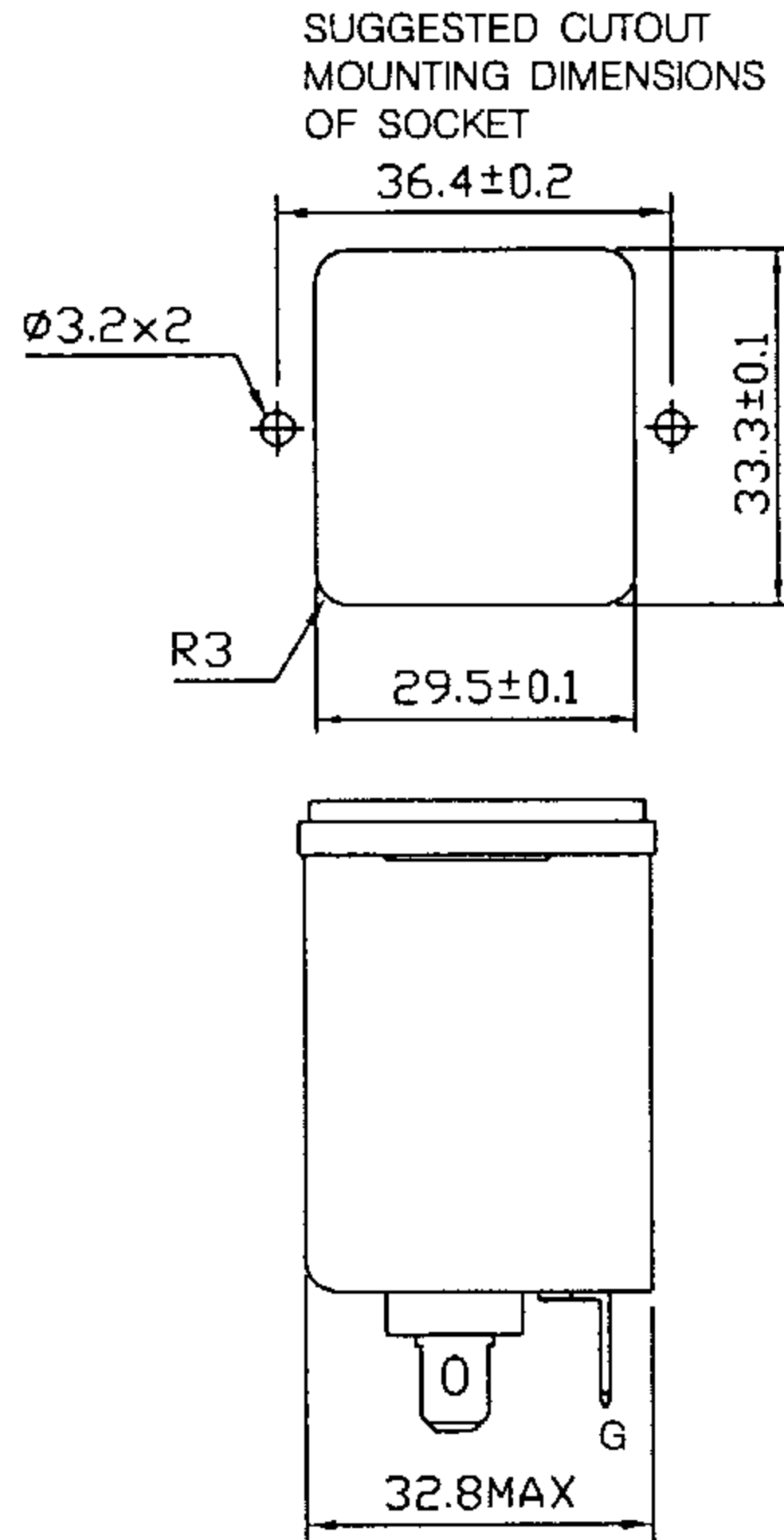
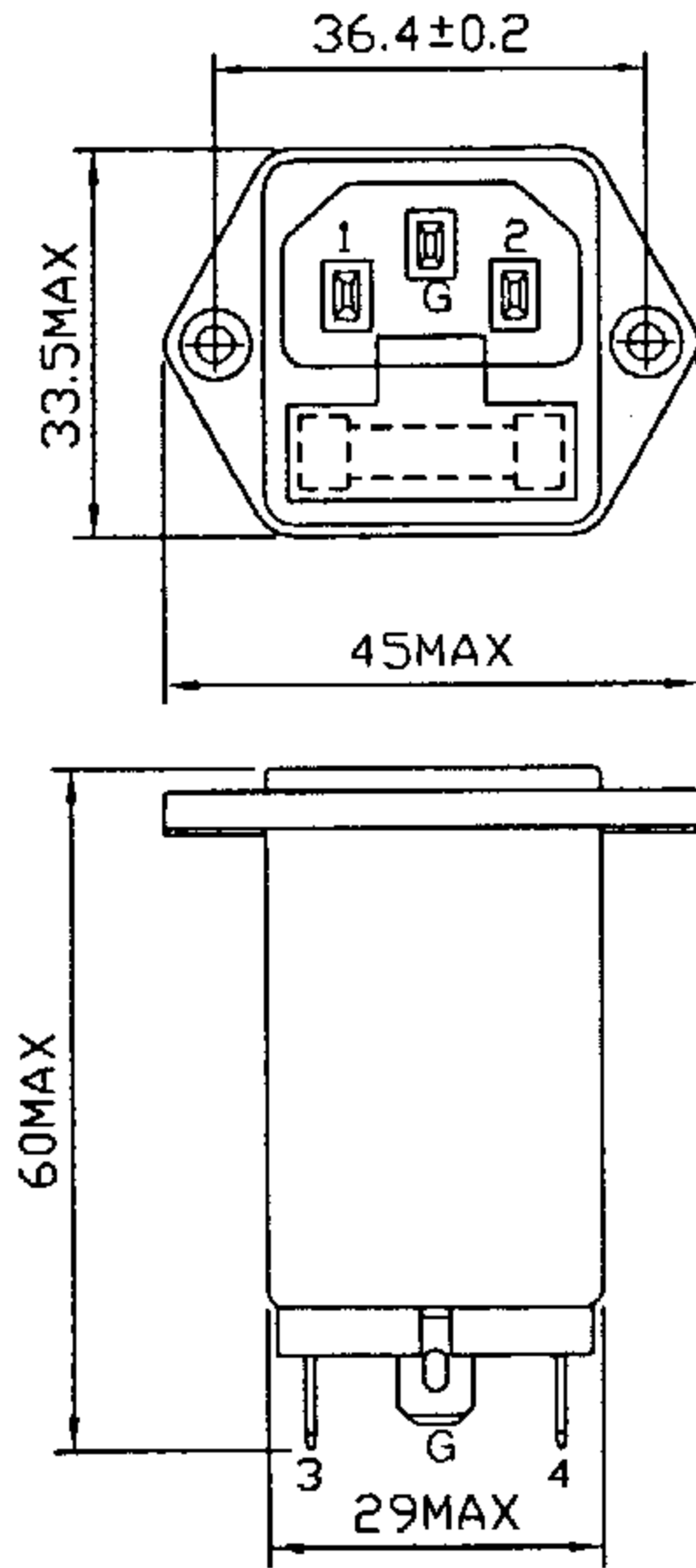
TEL:(02)2647-1327 FAX:(02)2647-1329

# SPECIFICATION FOR APPROVAL

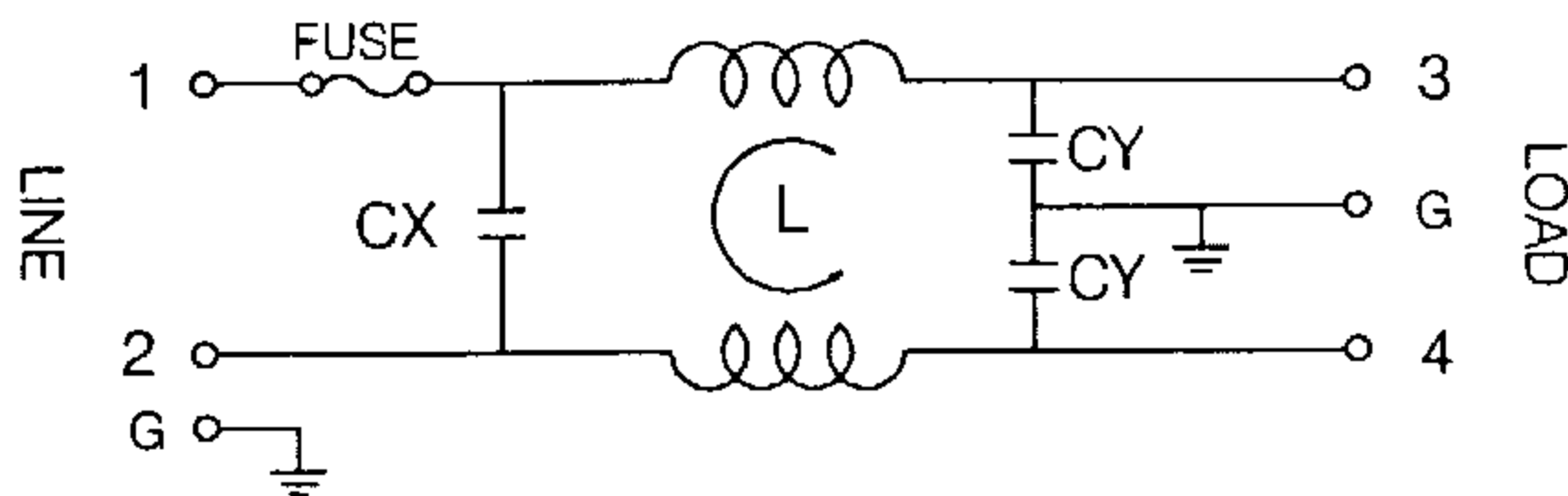
TO: 業務部 2/1

PART NAME	EMI FILTER	YUNPEN SAMPLE NO	FTA-0025
YUNPEN TYPE	YL06T1	SAMPLE DATE	OCT.01.2004
MODEL NO		OUR DRAWING NO	DR-00008a

## 1. PHYSICAL DIMENSIONS:(mm)



## 2. SCHEMATIC:



CX : 0.1uF  
 CY : 3300pF  
 L : 2 x 0.7mH

工程課出圖章

發行日  
ISSUE DATE OCT 06 2004

永聯電子股份有限公司  
YUNPEN ELECTRONIC CO., LTD.

編號:

更新安規號碼

REPORTEDD	CHECKED BY	APPROVED BY	3	
			2	
			REV. 1	

## YUNPEN ELECTRONIC CO.,LTD

3F,NO.32,Chung Hsin Road, Shi Chih City, Taipei Hsien, Taiwan, R.O.C.

TEL:(02)2647-1327 FAX:(02)2647-1329