



60.13



60.32



60.12



PLUG-IN 8/11 PIN RELAY 10 A

TYPE 60.12 2 CO (DPDT) standard version available with test button and mechanical indicator

TYPE 60.13 3 CO (3PDT) standard version available with test button and mechanical indicator

TYPE 60.12 - 0200 2 CO (DPDT) bifurcated contacts

TYPE 60.13 - 0200 3 CO (3PDT) bifurcated contacts

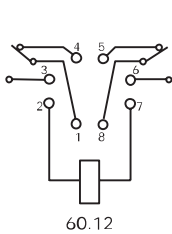
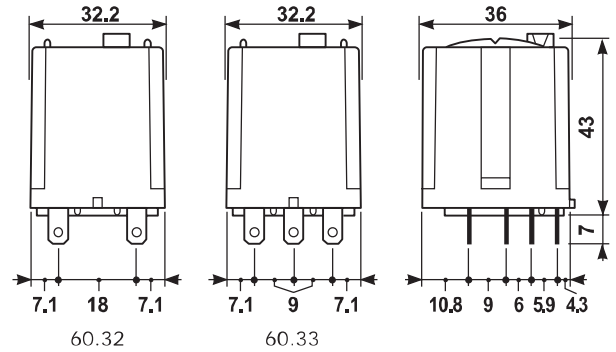
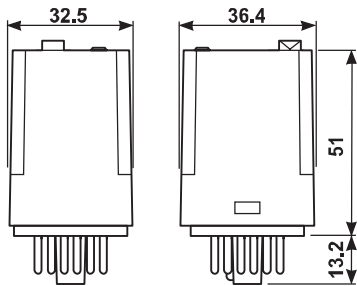
- single piece connection from contact to pin
- LED and diode available
- standard contact material: Ag Ni
- options: see coding table page 58 and 60
- ordering information: see page 58 and 60

MINIATURE INDUSTRIAL RELAY 10 A

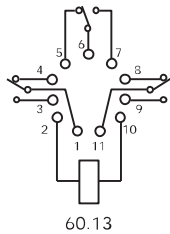
TYPE 60.32 2 CO (DPDT)

TYPE 60.33 3 CO (3PDT)

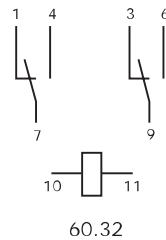
- tin plated copper connections: FASTON 187 (4.8 x 0.5 mm) suitable for socket mounting
- test button available
- standard contact material: Ag Ni
- options: see coding table page 58 and 60
- ordering information: see page 58 and 60



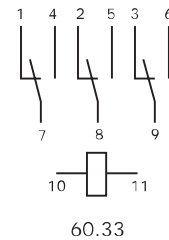
60.12



60.13



60.32



60.33