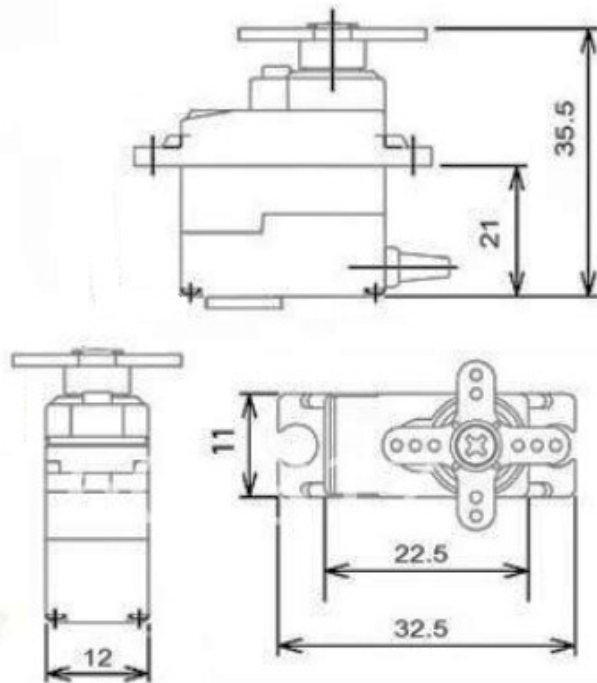


MG90S Metal Gear Servo



MG90S servo, Metal gear with one bearing

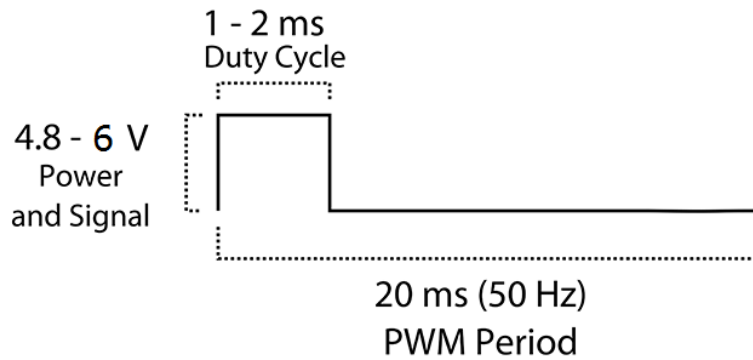
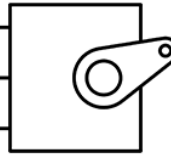
Tiny and lightweight with high output power, this tiny servo is perfect for RC Airplane, Helicopter, Quadcopter or Robot. This servo has *metal gears* for added strength and durability.

Servo can rotate approximately 180 degrees (90 in each direction), and works just like the standard kinds but *smaller*. You can use any servo code, hardware or library to control these servos. Good for beginners who want to make stuff move without building a motor controller with feedback & gear box, especially since it will fit in small places. It comes with a 3 horns (arms) and hardware.

Specifications

- Weight: 13.4 g
- Dimension: 22.5 x 12 x 35.5 mm approx.
- Stall torque: 1.8 kgf·cm (4.8V), 2.2 kgf·cm (6 V)
- Operating speed: 0.1 s/60 degree (4.8 V), 0.08 s/60 degree (6 V)
- Operating voltage: 4.8 V - 6.0 V
- Dead band width: 5 μ s

PWM=Orange (⏏)
Vcc = Red (+)
Ground=Brown (-)



Position "0" (1.5 ms pulse) is middle, "90" (~2 ms pulse) is all the way to the right, "-90" (~1 ms pulse) is all the way to the left.