

KS-100 AM-FM flexible antenna 25 cm (0.8')

Code: PF AN NAMFM001

ENG

CONTENTS

- Antenna whip (x1)
- Antenna mount (x1)
- Cable 75 Ohm 4 m + jack DIN (x1)
- O-ring (x1)
- Stainless steel self-tapping screw (x3)

✓ RoHS Compliant

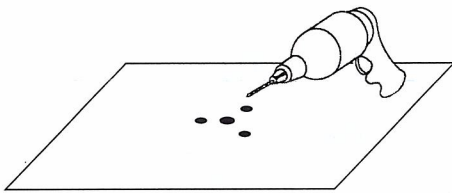


MOUNTING PROCEDURE

1 - Choose the surface on which to install the antenna, the surface must be even and with a thickness not exceeding 25 mm.

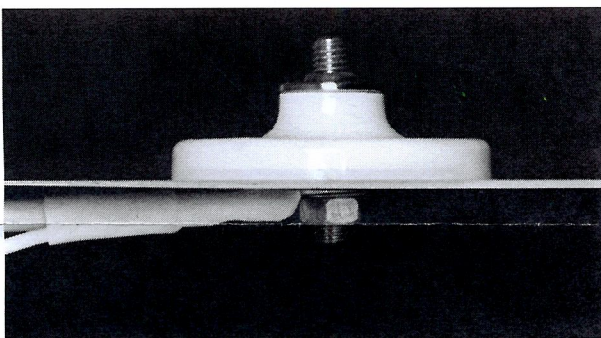
- Please keep clear the antenna from any obstacles.
- The surface material is irrelevant for the purpose of installation, preferably metallic.

2 - Use the mounting template (that you'll find at the end of this page) to drill the four holes on the surface.



3 - Set the antenna on the surface and secure it with the three self-tapping screws.

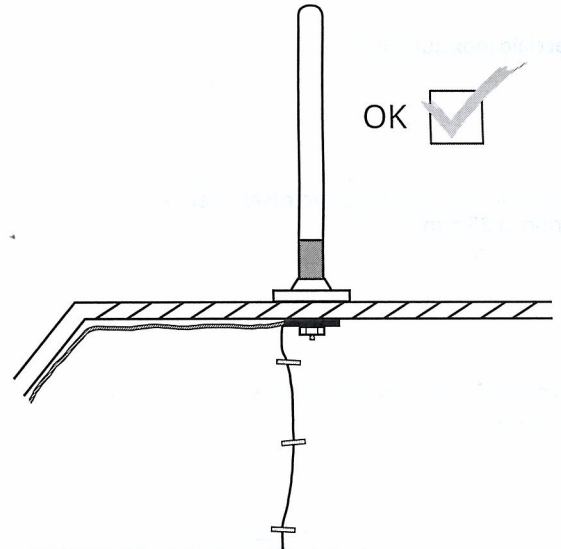
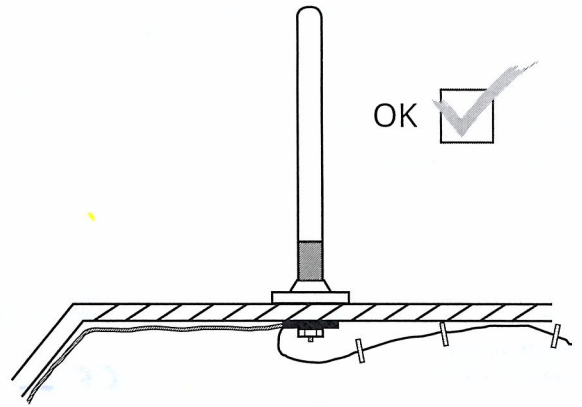
4 - Connect the cable bundle to the antenna unit and secure it with the supplied nut.



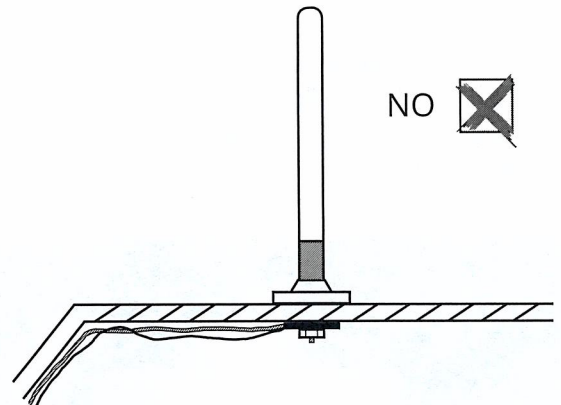
5 - Run the unipolar white cable and fasten it using an adhesive tape or similar. If the antenna is installed on a metal surface the use of the ground cable can be avoided, so it is possible to cut it.

Here follow some installation examples.

Mounting instructions



Attention: **DO NOT** lay the ground cable along the path of the communication cable as shown below.



KS-100 mounting template

