



Description :

- ▷ Apparent shape
Round (Φ18mm).
Square (18X18mm).
Rectangular Square (18X24mm).
- ▷ Install and remove the contact block easily.
- ▷ Gold-clad cross bar contact.
- ▷ Solder/plug-in terminal (#110) and P.C board terminal type.
- ▷ Light touch structure.
- ▷ Use of High Performance Engineering Plastics.
- ▷ protective grade
IP65 (IEC Pud 529)



ELECTRICAL RATINGS :

▷ Connect

Rated voltage	250 V AC/DC
Rated current	5A

Operating Voltage		30V	125V	250V
Operating current(Resistive)	AC	*	3A	2A
	DC	2A	0.4A	*

***minimum applicable load (reference value) :**
5V 1mA AC/DC

▷ Lamp

Lamp type	Rated voltage	Rated current	Illumination color	
Incandescent lamp (AC/DC)	6V	200mA	*	
	14V	80mA	*	
	28V	40mA	*	
LED lamp(DC)	6V	25mA	RED(R)	White(W)
	12V	25mA	Green(G)	White(W) Blue(B)
	24V	25mA	Yellow(Y)	Blue(B)
Neon lamp(AC)	110V	1.2mA	RED(R)	
	220V	1.2mA	Green(G)	

SPECIFICATIONS

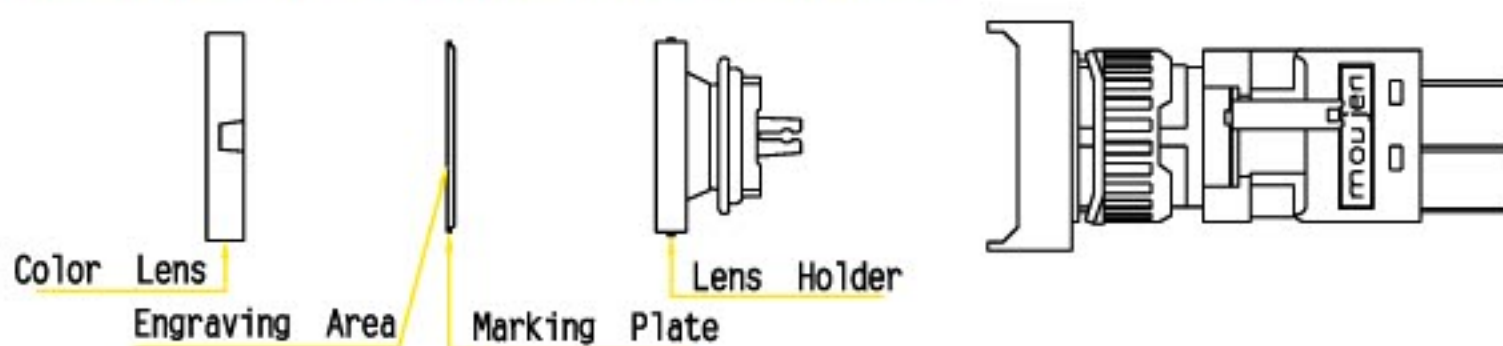
Operating Temperature	-25°C ~ +55°C (Without freezing)
Storage Temperature	-30°C ~ +80°C
Operating Humidity	45~85%RH
Contact Resistance	50m Ω maximum(initial value)
Insulation Resistance	100M Ω minimum(500V DC megger)
Dielectric strength	Between live part and ground:2500VAC:1minuate
	Between terminals of different poles:2500VAC:1minuate
	Between terminals of the same poles:1000VAC:1minuate
Vibration Resistance	Operating extremes:5~55Hz,Amplitude 1.0mmp-p
	Damage limits:1000m/s ² (Approx:100G) Operating extremes:1000m/s ² (Approx:10G)
Mechanical Life(min)	Momentary:2,000,000
	Alternate:250,000
	Selector switch:250,000
Electrical Life(min) (0.5A, 110VAC)MAX	Momentary:100,000(1800 operations/hour)
	Alternate:100,000(1200 operations/hour)
	Selector switch:100,000
protection Degree	IP65(IEC Pud 529)

Type	M6L-Pilot Light	M6P-Illuminated push buttons / Push buttons	M6S-Illuminated selector / Selector switches	M6K-Key selector switches
Shape				
Contact	* *	1C 2C	1C 2C	1C 2C
Function	Incandescent illumination LED illumination Neon illumination	Incandescent illumination LED illumination Neon illumination non-illumination color R. Y. G. O. W. B.	2 position 3 position Incandescent illumination LED illumination Neon illumination	2 position 3 position Incandescent illumination LED illumination Neon illumination
Illumination color	Incandescent illumination : Red(R) LED illumination : Red(R) Neon illumination : Red(R)	Green(G) Green(G) Green(G)	Yellow(Y) Yellow(Y) Orange(O)	Orange(O) Orange(O) White(W) Blue(B) White(W) Blue(B)

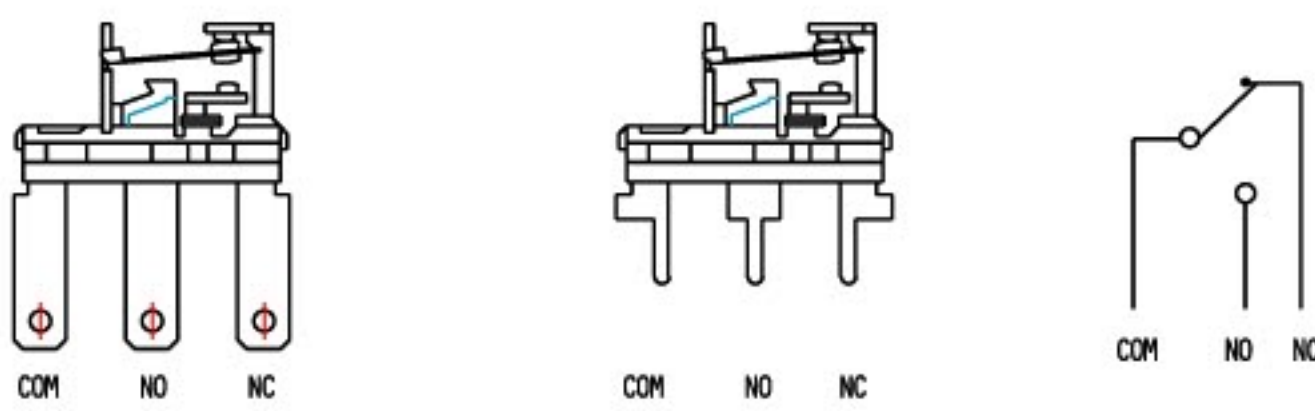
Removing the contact block : turning the locking lever to the left.



Replacement of lens and marking plate : with the lens removal tool.



Switch unit.



(Solder / Plug-in Terminal Type)

(PC Board Terminal Type)