

# Wirewound Resistors in Aluminium Housing

## Features

- Aluminium housing for direct heat sink attachment
- Excellent heat transfer and small dimensions
- Good electrical stability, reliability and mechanical rigidity
- Values from R10 to 27K
- RoHS compliant
- Custom terminations, mounting arrangements possible



## General Series Characteristics

Characteristic	Condition	Compliance
Tolerance (Tighter tolerance available on request)	For values less than 1 $\Omega$ For values greater than 1 $\Omega$	$\pm 5\%$ $\pm 0.25$ to $\pm 5\%$
Temperature co-efficient (Lower TCR available on request)	For values less than 100 $\Omega$ For values greater than 100 $\Omega$	60 ppm / $^{\circ}\text{C}$ 30 ppm / $^{\circ}\text{C}$
Insulation resistance	Dry / Normal	10G $\Omega$ min
Change in resistance - short time overload - shelf life	10x rated voltage for 5 sec After 3 years	$\pm 0.5\%$ < $\pm 1\%$
Incombustibility	16x rated wattage for 5 sec	No flame
Operating temperature	From - 25 $^{\circ}\text{C}$ to 250 $^{\circ}\text{C}$	

## Global Part Number Information

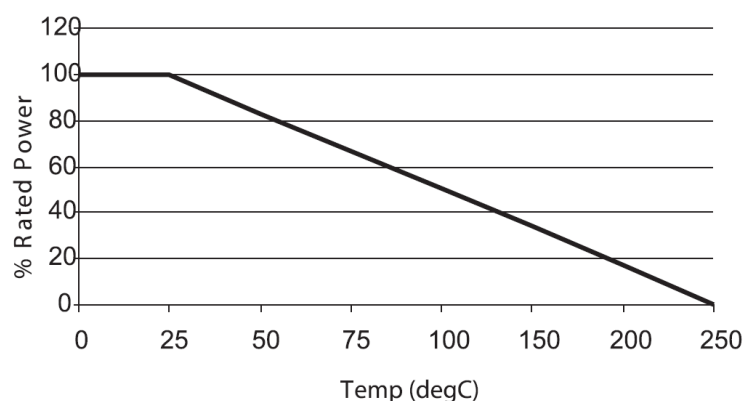
Example: RND 15525 1K2 F

<b>RND 15525</b>	<b>1K2</b>	<b>F</b>
RND 15525 = 25 W RND 15550 = 50 W RND 155100 = 100 W RND 155200 = 200 W RND 155300 = 300 W	Resistance	Tolerance: F=1% J=5%

## Electrical Specifications

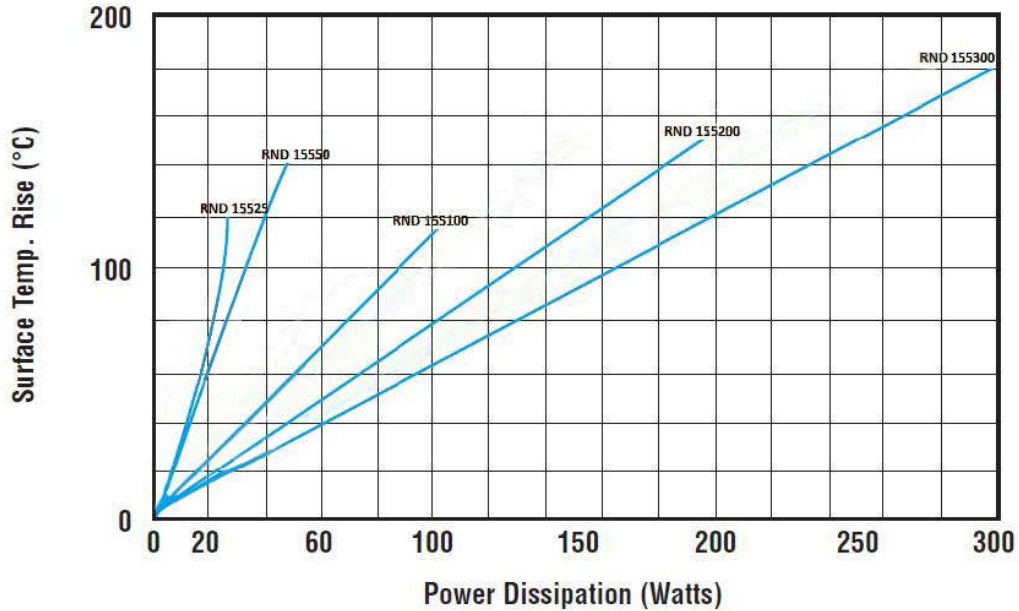
Series	Power rating on standard heat sink @ 25 $^{\circ}\text{C}$	Power rating with no heat sink @ 25 $^{\circ}\text{C}$	Resistance range	Limiting element voltage (DC / AC rms)	Dielectric strength (AC peak)	Weight approx. (g)	Standard heat sink	
							Area (cm $^2$ )	Thickness (mm)
RND 15525	25	12.5	R10 - 27K	550	2500	15	550	1
RND 15550	50	20	R10 - 10K	1250	2500	30	550	1
RND 155100	100	50	R10 - 10K	1900	5000	115	1000	3
RND 155200	200	50	R10 - 1K	1900	5000	475	3750	3
RND 155300	300	75	R10 - 1K	2500	5000	700	5800	3

## Power Derating Curve



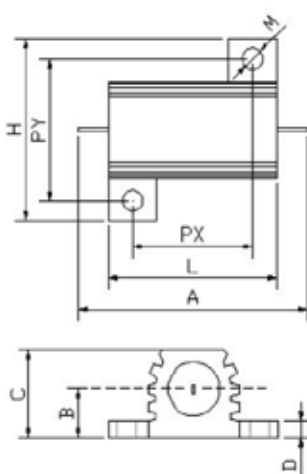
# Wirewound Resistors in Aluminium Housing

## Temperature Rise Chart

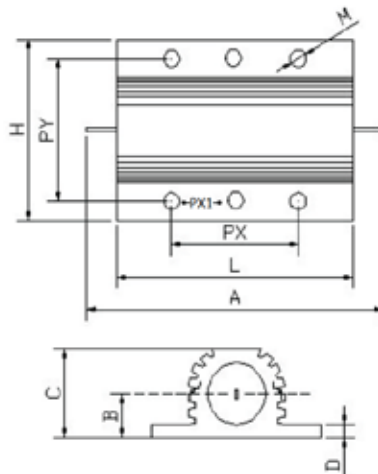


## Mechanical Specifications

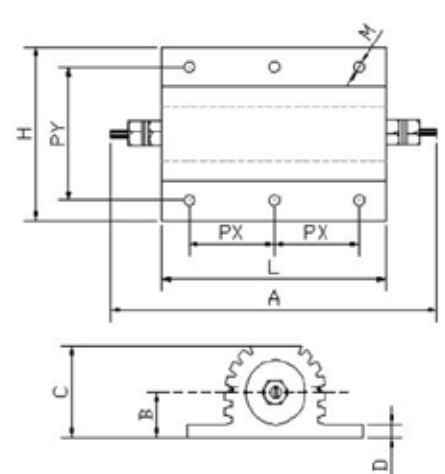
Series	L ± 0.5	A max.	H	PX ± 0.3	PX1	PY ± 0.3	M ± 0.5	B max.	C max.	D
RND 15525	27.3	51.8	28	18.3	-	19.8	3.2	7.5	15	3
RND 15550	50.1	72.5	30	39.7	-	21.4	3.2	8.5	17	3
RND 155100	65.4	87.5	48	35	-	37.0	4.4	12	26	4
RND 155200	89	143	73	35	-	57.2	5.1	20.5	45	5.5
RND 155300	127	180	73	52	-	59.0	6.6	20.5	45	5.5



**RND 15525**  
**RND 15550**



**RND 155100**



**RND 155200**  
**RND 155300**