

# SPECIFICATION FOR APPROVAL

TO:

業務部

2/2

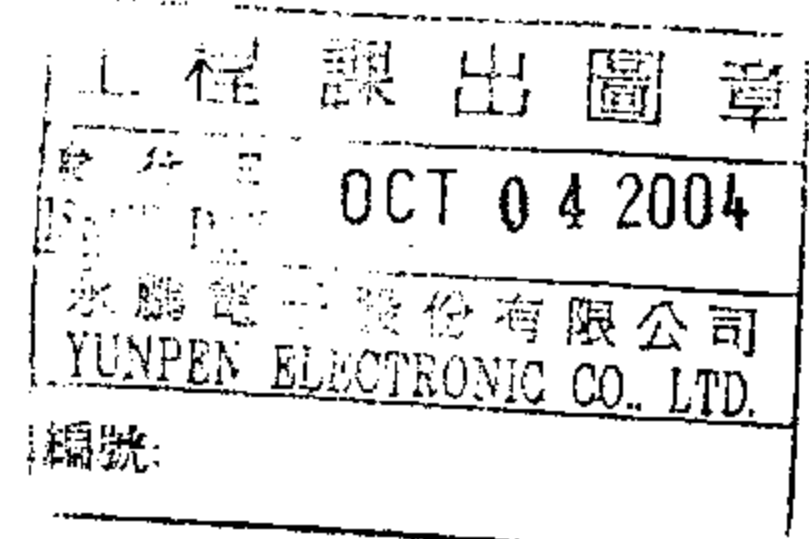
PART NAME	EMI FILTER	YUNPEN SAMPLE NO	FTA-0053
YUNPEN TYPE	YL10T1	SAMPLE DATE	OCT.01.2004
MODEL NO		OUR DRAWING NO	YDR-00005a

### 3.ELECTRICAL CHARACTERISTICS:

3-1.RATED VOLTAGE .....	125/250VAC
3-2.RATED CURRENT .....	10 A
3-3.OPERATING FREQUENCY .....	50/60Hz
3-4.LEAK CURRENT:EACH LINE TO GROUND 250VAC 50Hz .....	0.8mA MAX
3-5.HIPOT RATING:(FOR ONE MINUTE) LINE TO LINE .....	1450VDC
LINE TO GROUND .....	1800VAC
3-6.INSULATION RESISTANCE .....	250VDC/100MOHM MIN
3-7.DIRECT CURRENT RESISTANCE .....	0.1 OHM MAX
3-8.OPERATING TEMPERATURE .....	-25 TO +85°C

### 4.SAFETY COMPLIANCE:

UL FILE NO:E134751  
CSA FILE NO:LR95210  
VDE FILE NO:40007880  
SEMKO FILE NO:9444068  
FIMKO FILE NO:184116-01...03  
NEMKO FILE NO:P95102844  
DEMKO FILE NO:303953



**YUNPEN ELECTRONIC CO.,LTD**

3F,NO.32,Chung Hsin Road, Shi Chih City, Taipei Hsien, Taiwan, R.O.C.

TEL:(02)2647-1327 FAX:(02)2647-1329

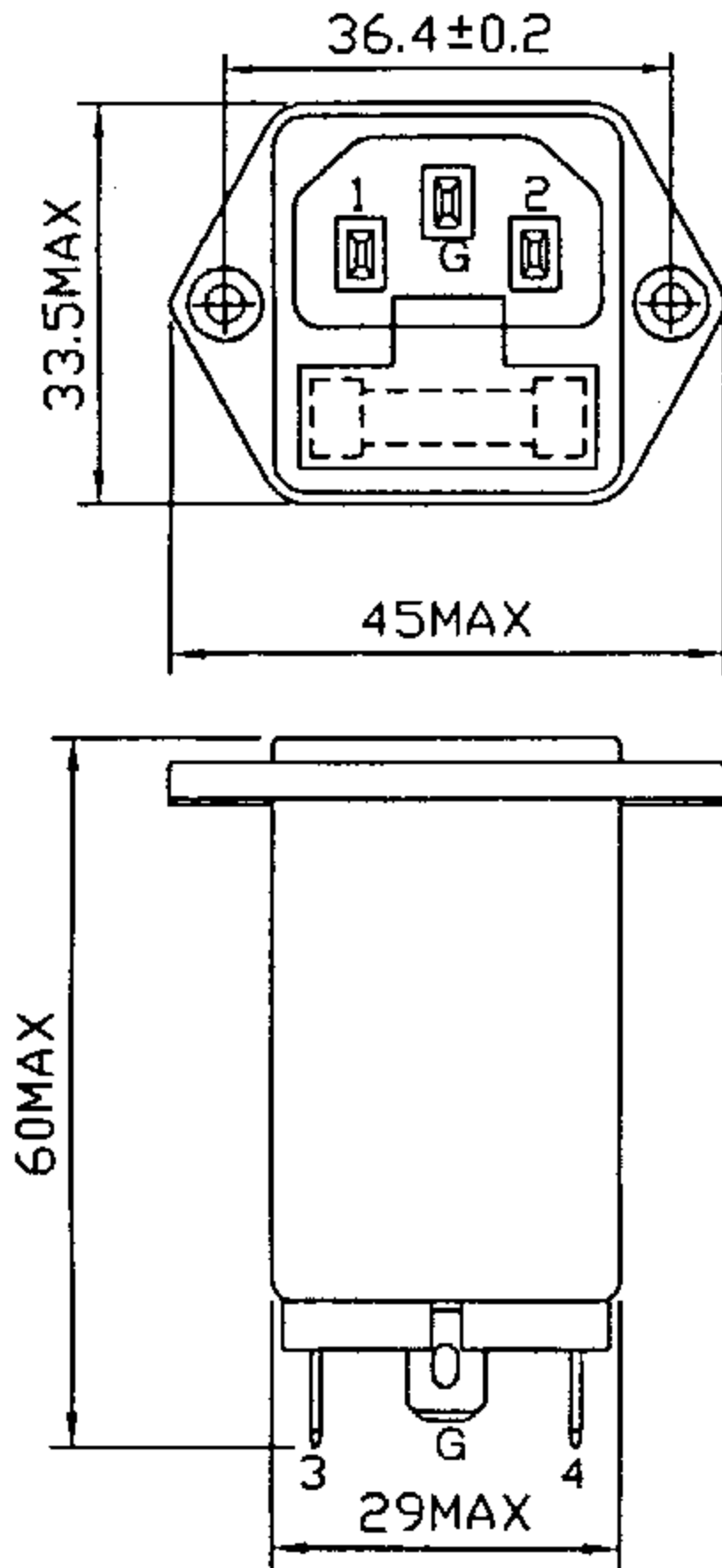
# SPECIFICATION FOR APPROVAL

業務部

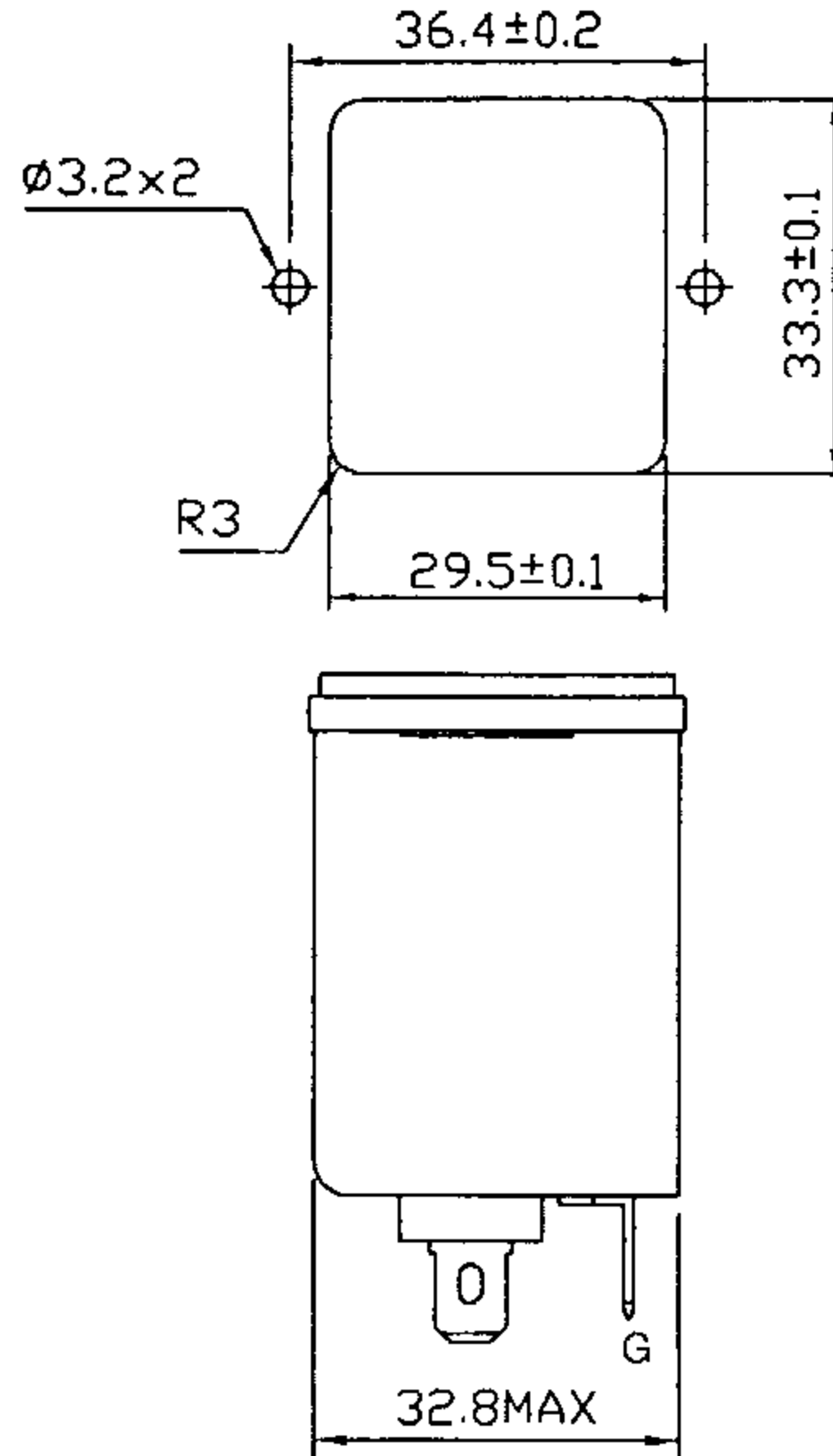
TO: \_\_\_\_\_ 2/1

PART NAME	EMI FILTER	YUNPEN SAMPLE NO	FTA-0053
YUNPEN TYPE	YL10T1	SAMPLE DATE	OCT.01.2004
MODEL NO		OUR DRAWING NO	YDR-00005a

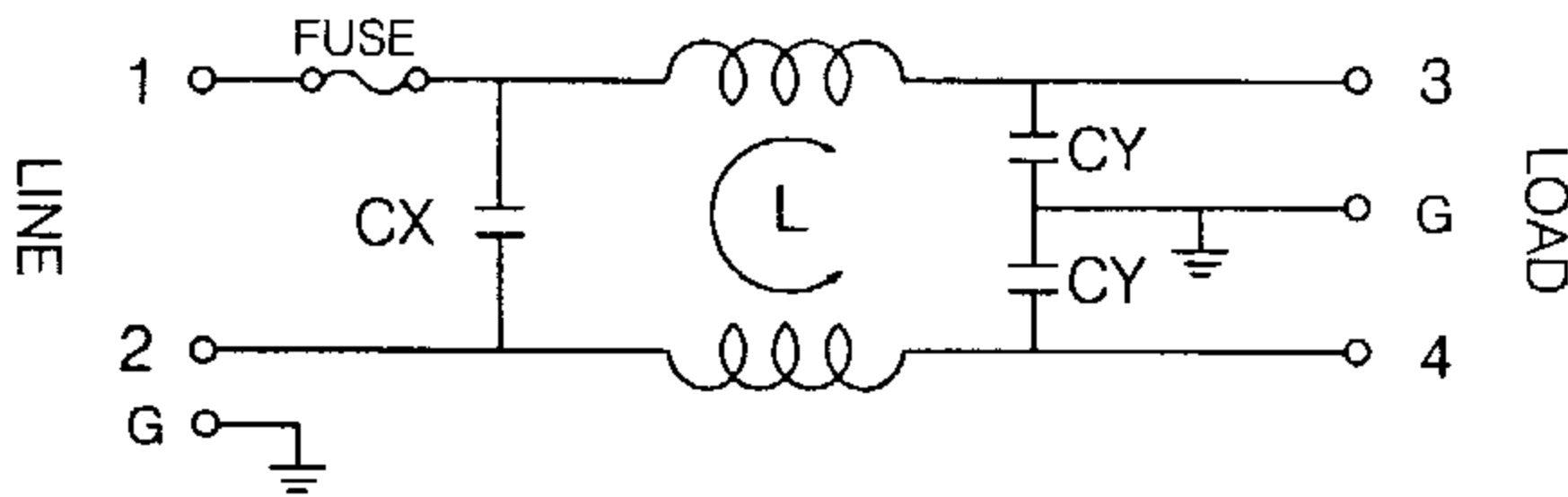
### 1. PHYSICAL DIMENSIONS:(mm)



SUGGESTED CUTOUT  
MOUNTING DIMENSIONS  
OF SOCKET



### 2. SCHEMATIC:



CX : 0.1uF  
CY : 3300pF  
L : 2 x 0.3mH

工程課出圖章

發行日 OCT 04 2004

REPORTED BY	CHECKED BY	APPROVED BY	3	永聯電子股份有限公司 YUNPEN ELECTRONIC CO., LTD.
			2	編號
			REV. 1	更新安規號碼

## YUNPEN ELECTRONIC CO.,LTD

3F,NO.32,Chung Hsin Road, Shi Chih City, Taipei Hsien, Taiwan, R.O.C.

TEL:(02)2647-1327 FAX:(02)2647-1329